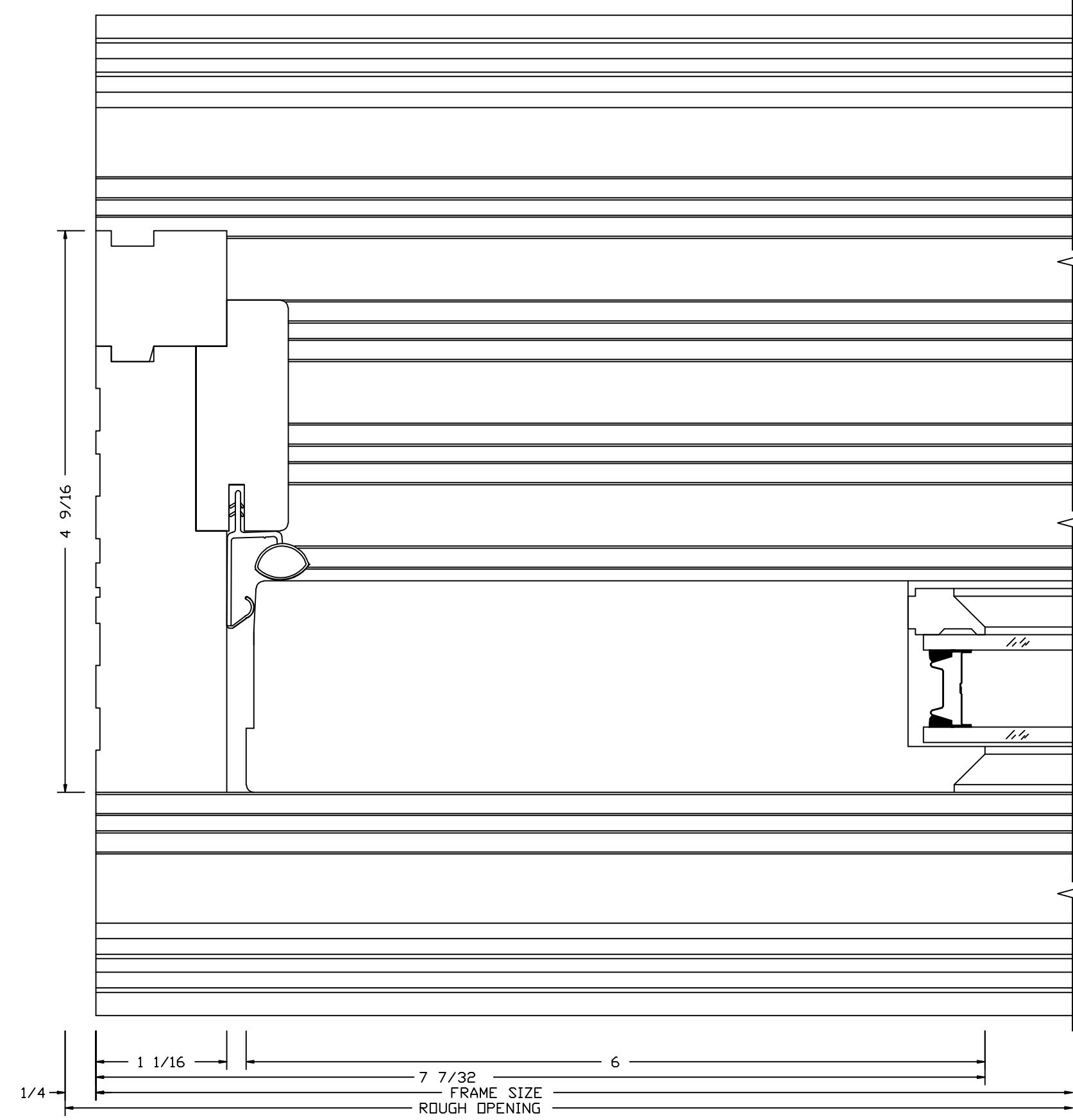
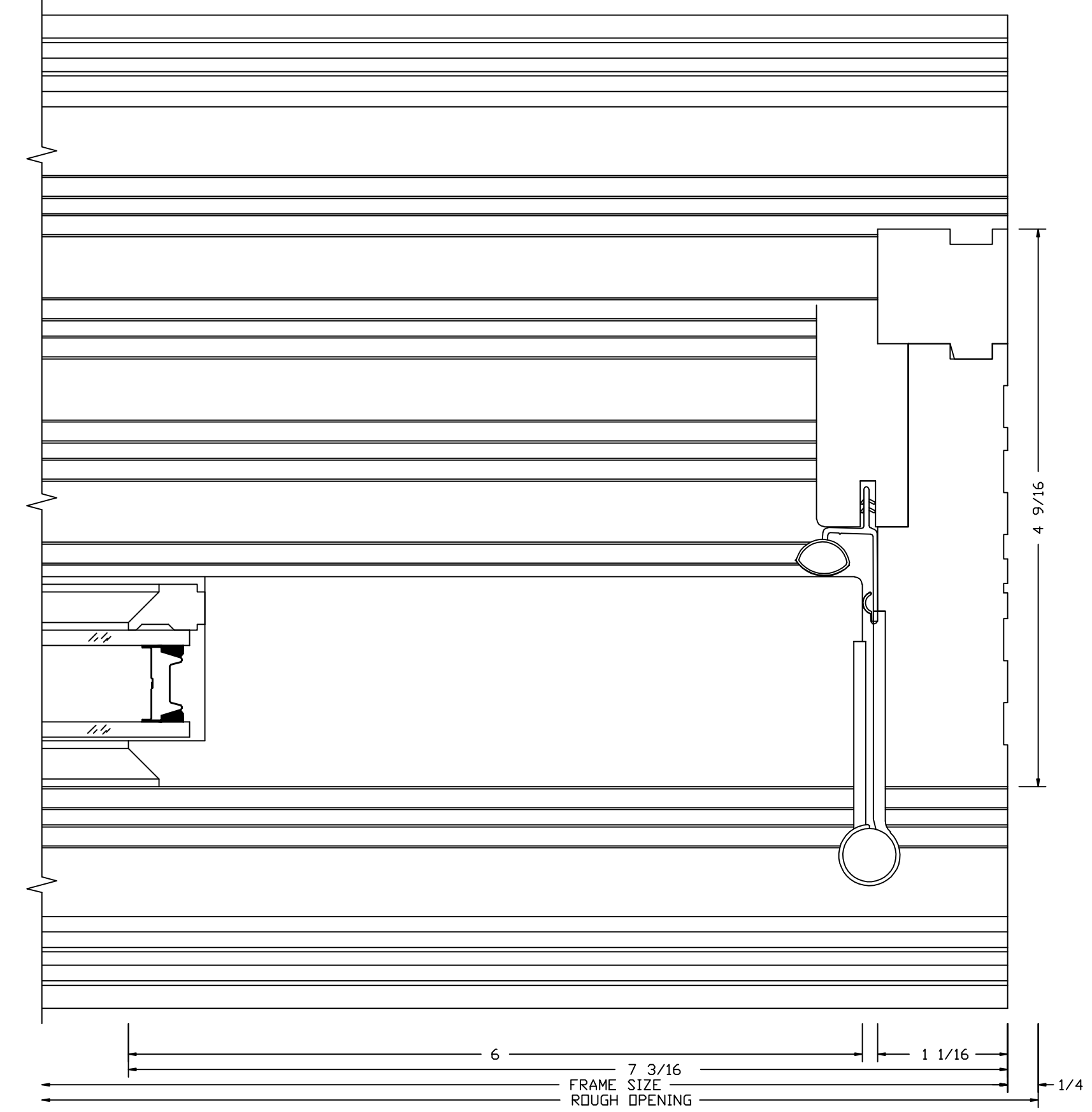


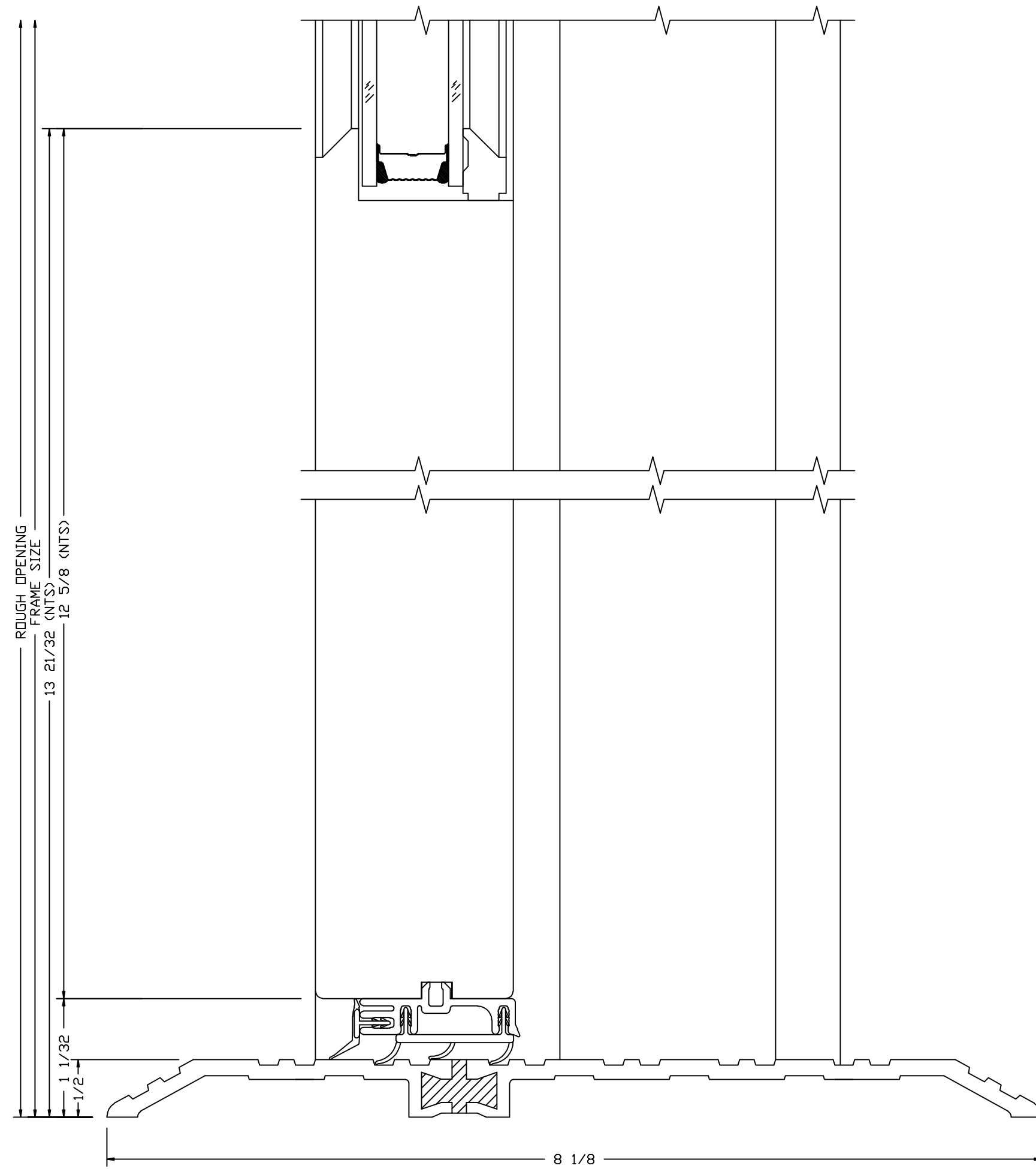
A WOOD MANOR DOOR HEAD DETAIL
1 ACTIVE - 6" TOP RAIL Scale: 1" = 1"



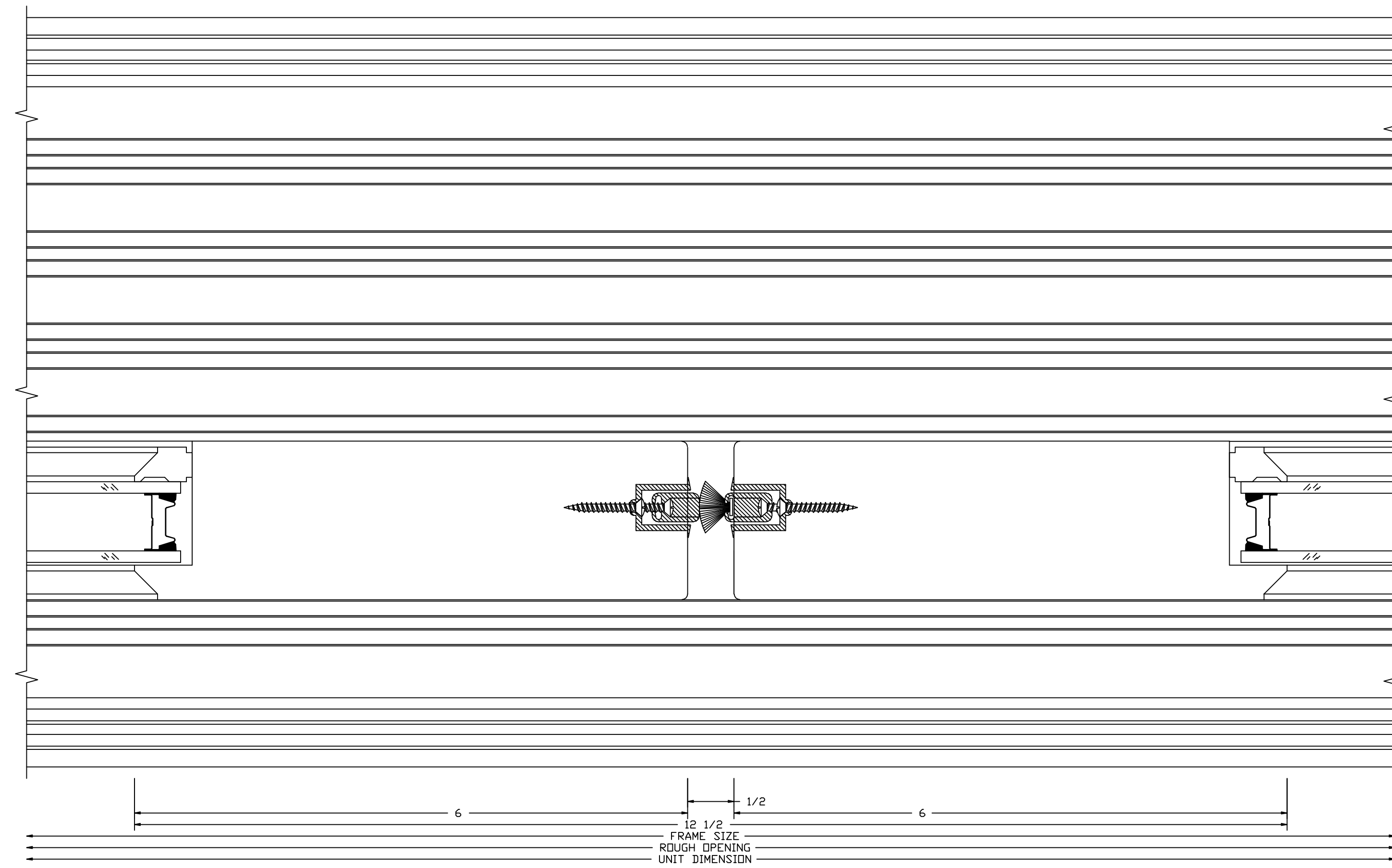
B WOOD MANOR DOOR JAMB DETAIL
1 6" LOCK STILE - THERMAL HANDICAP SILL Scale: 1" = 1"



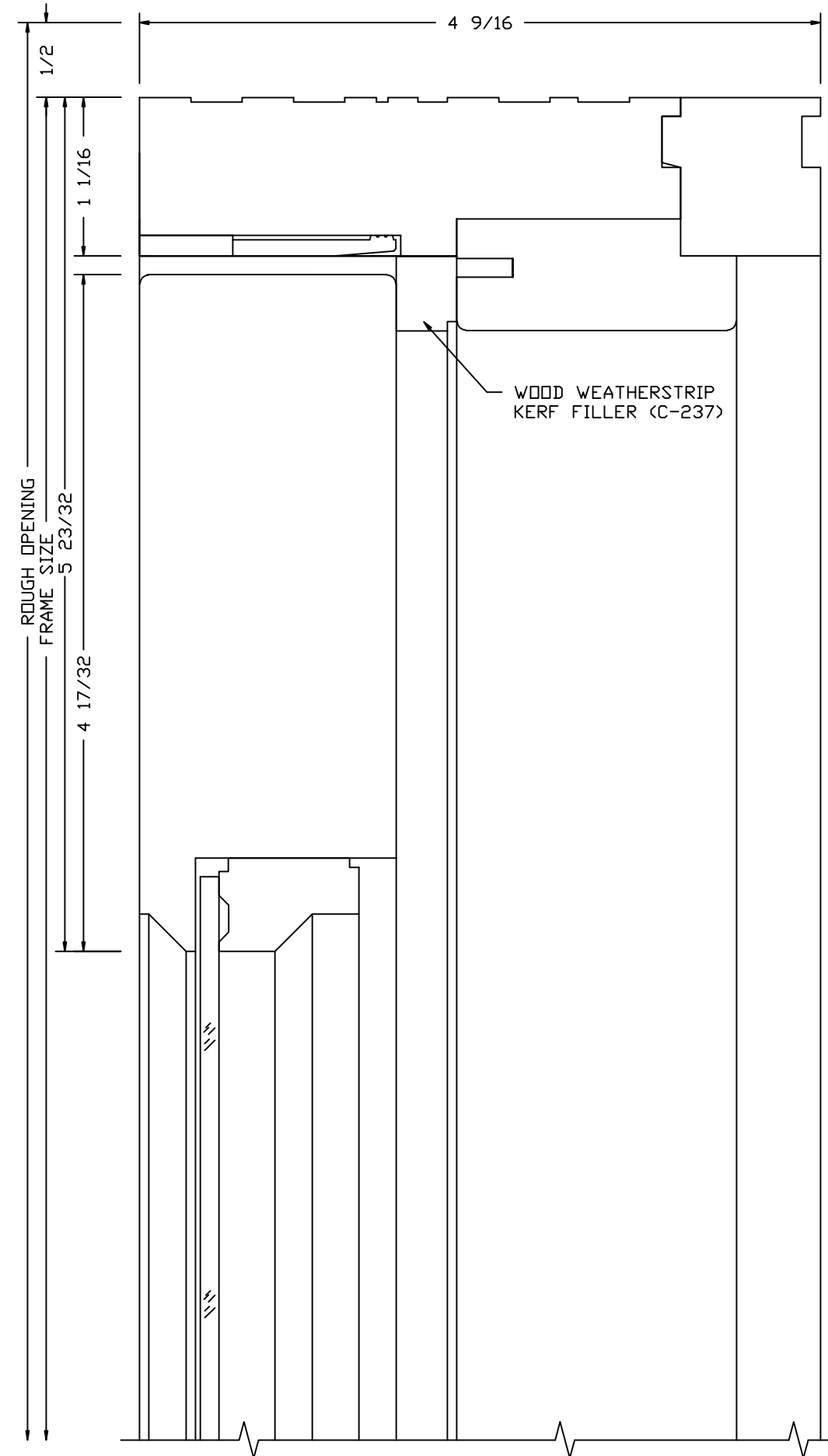
C WOOD MANOR DOOR JAMB DETAIL
1 6" HINGE STILE - THERMAL HANDICAP SILL Scale: 1" = 1"



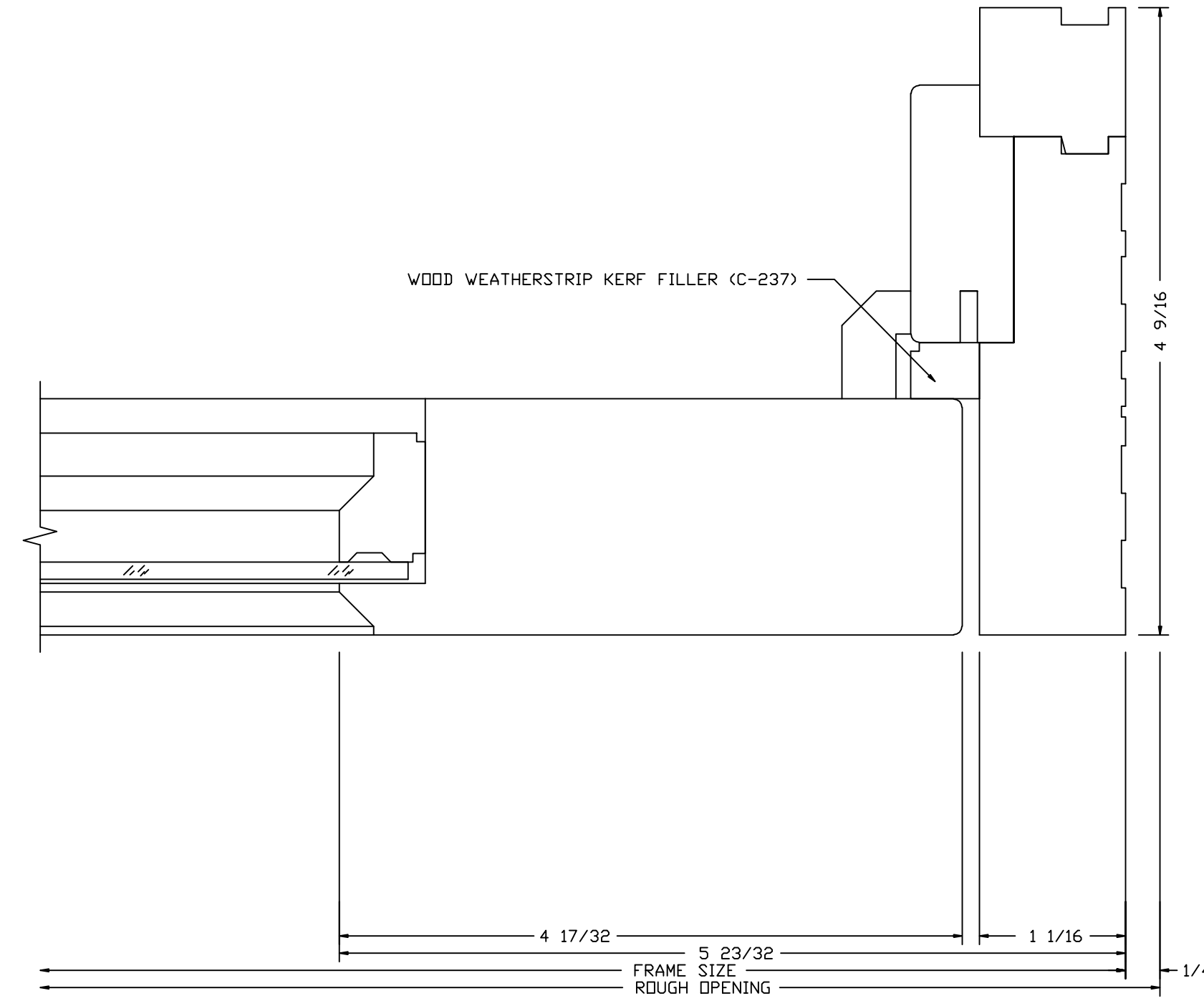
D WOOD MANOR DOOR SILL DETAIL
1 ACTIVE - THERMAL HANDICAP SILL Scale: 1" = 1"



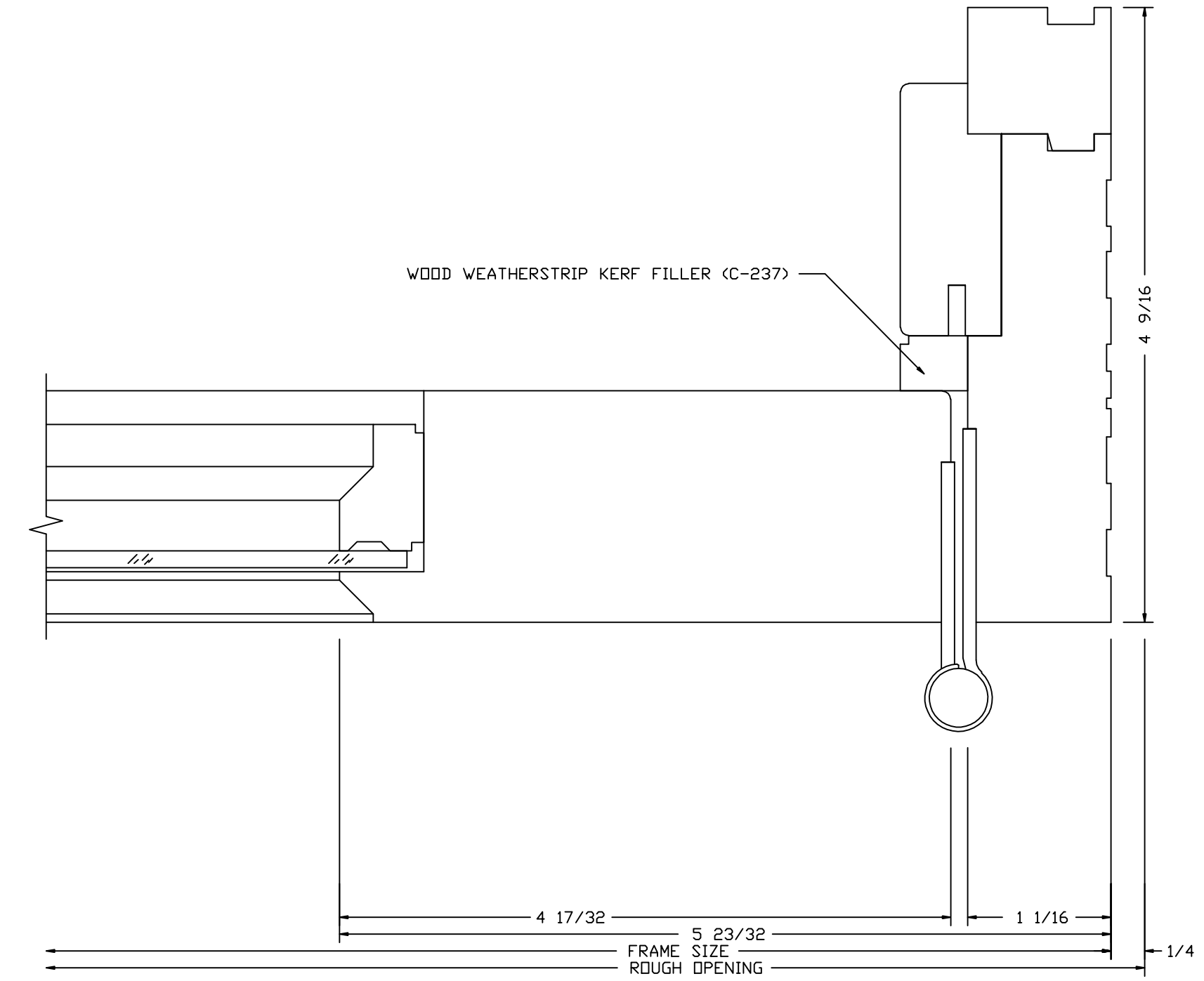
E WOOD MANOR DOOR MEETING STILE DETAIL
1 NO ASTRAGAL - ADJUSTABLE CENTER CLOSURE SEAL Scale: 1" = 1"



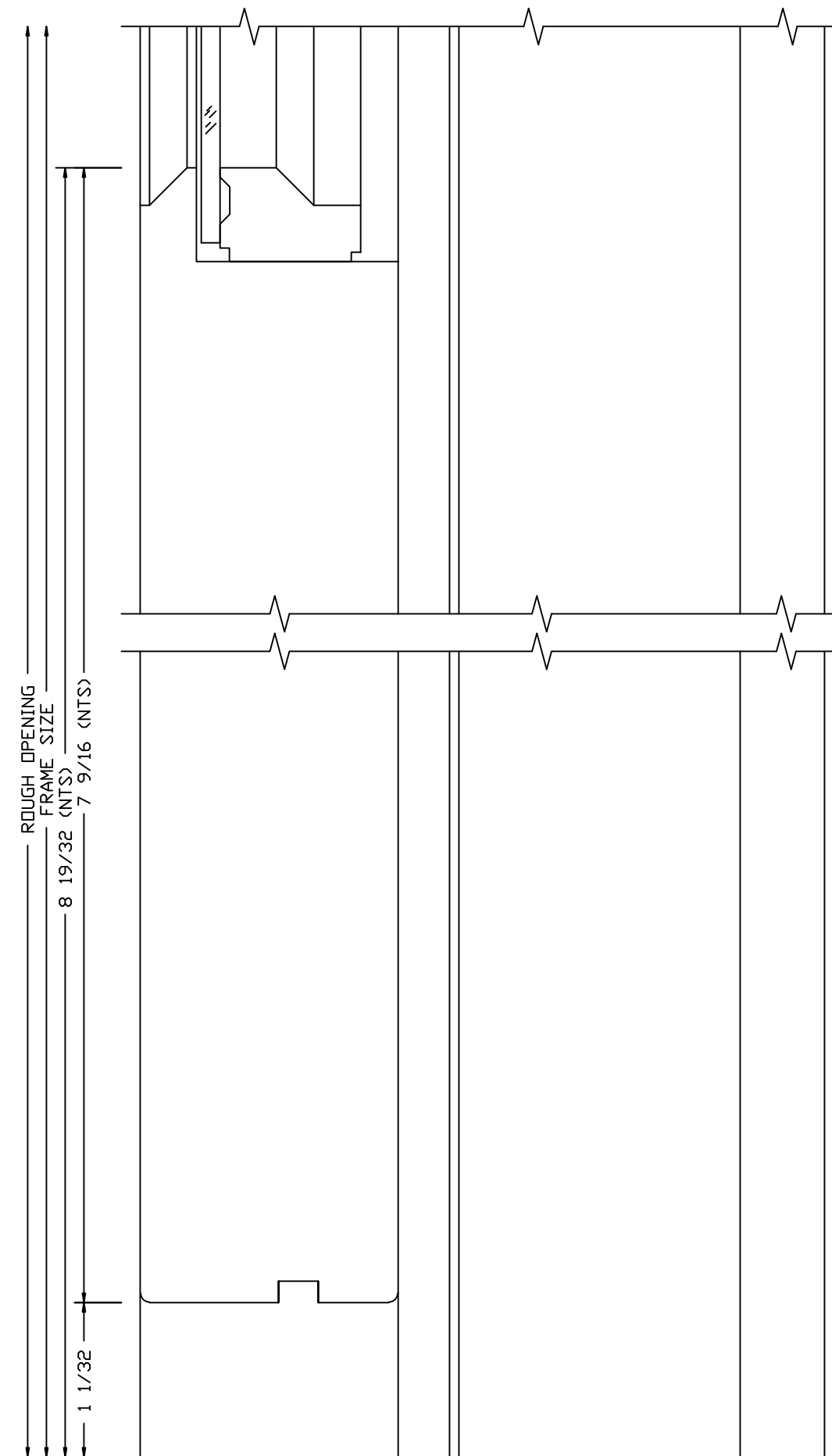
F WOOD MANOR DOOR HEAD DETAIL
2 ACTIVE - 4 17/32" TOP RAIL Scale: 1" = 1"



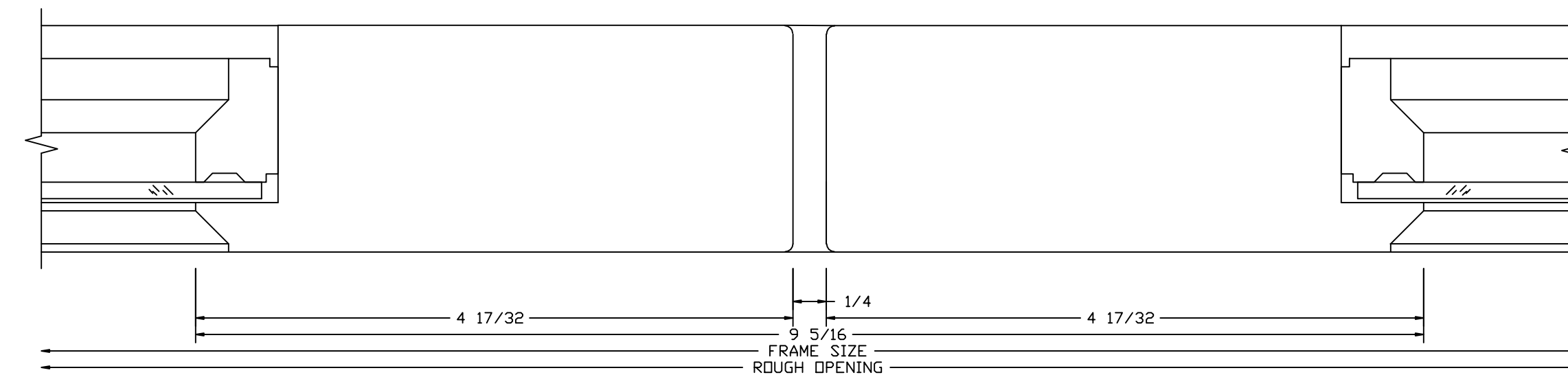
G WOOD MANOR DOOR JAMB DETAIL
2 4 17/32" STAT STILE - NO SILL Scale: 1" = 1"



H WOOD MANOR DOOR JAMB DETAIL
2 4 17/32" HINGE STILE - NO SILL Scale: 1" = 1"

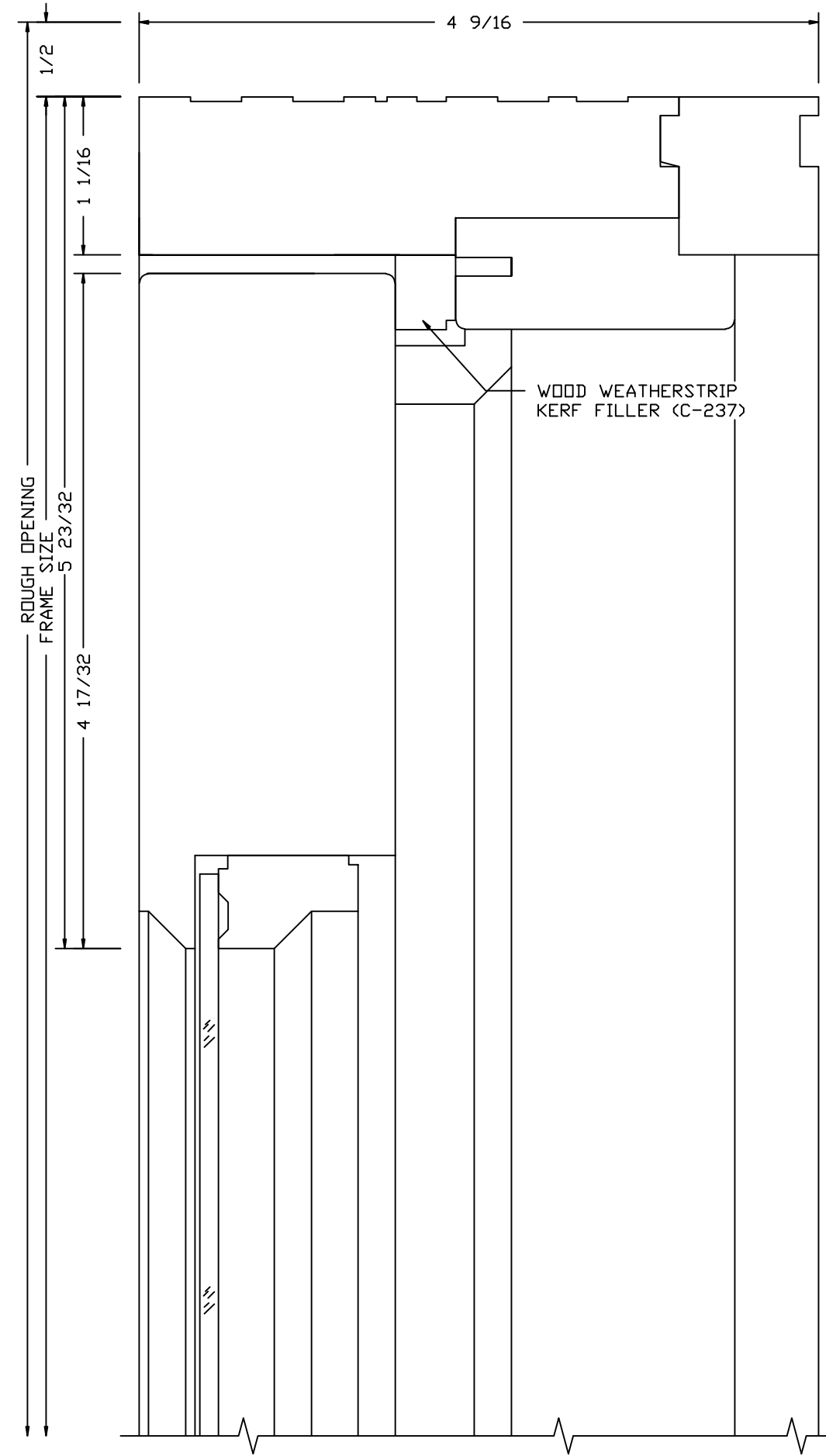


I WOOD MANOR DOOR SILL DETAIL
2 ACTIVE - 7 9/16" BOTTOM RAIL - NO SILL Scale: 1" = 1"

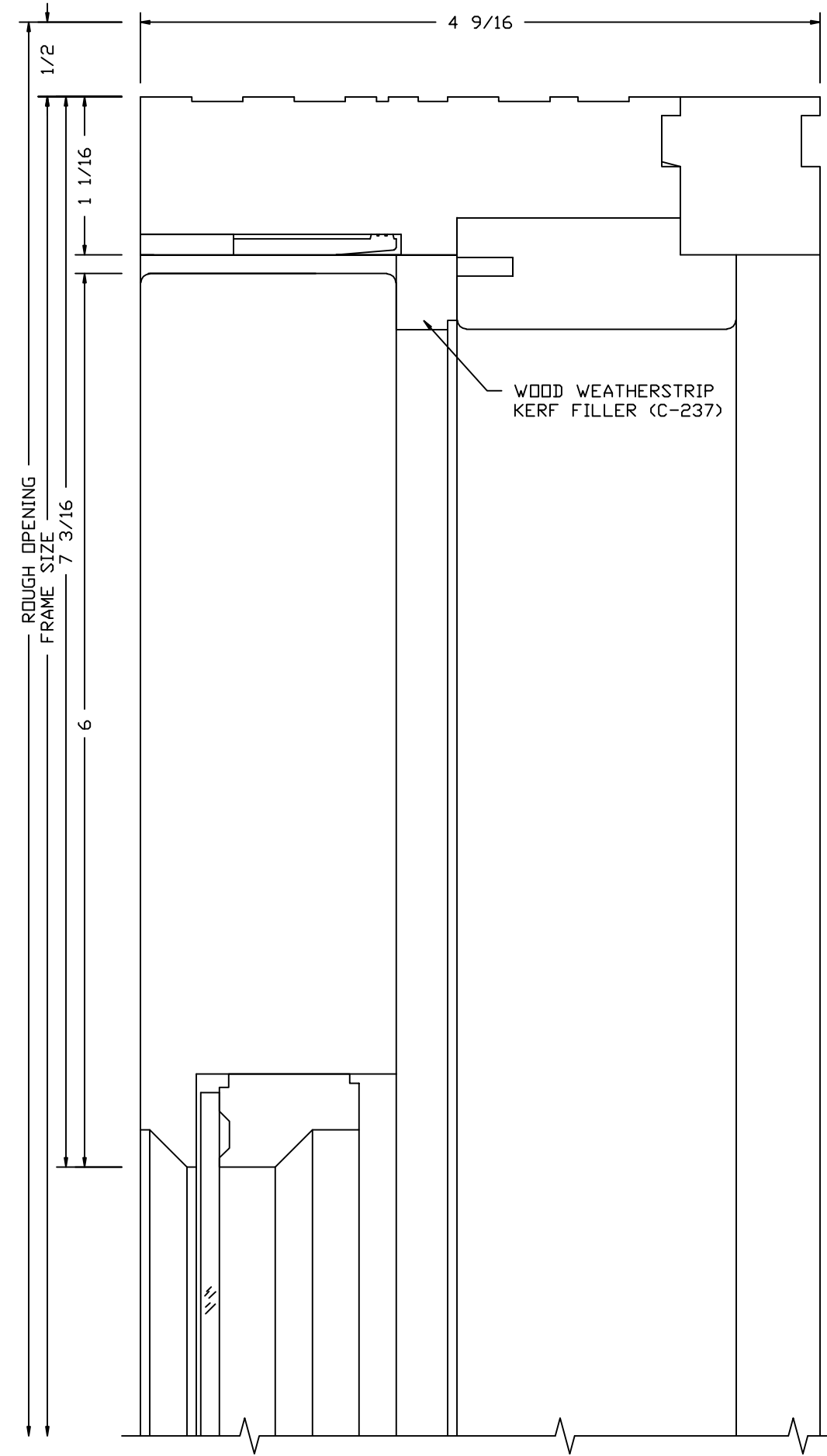


J WOOD MANOR DOOR MEETING STILE DETAIL
2 NO ASTRAGAL - NO CENTER CLOSURE SEAL - CUSTOM GAP Scale: 1" = 1"

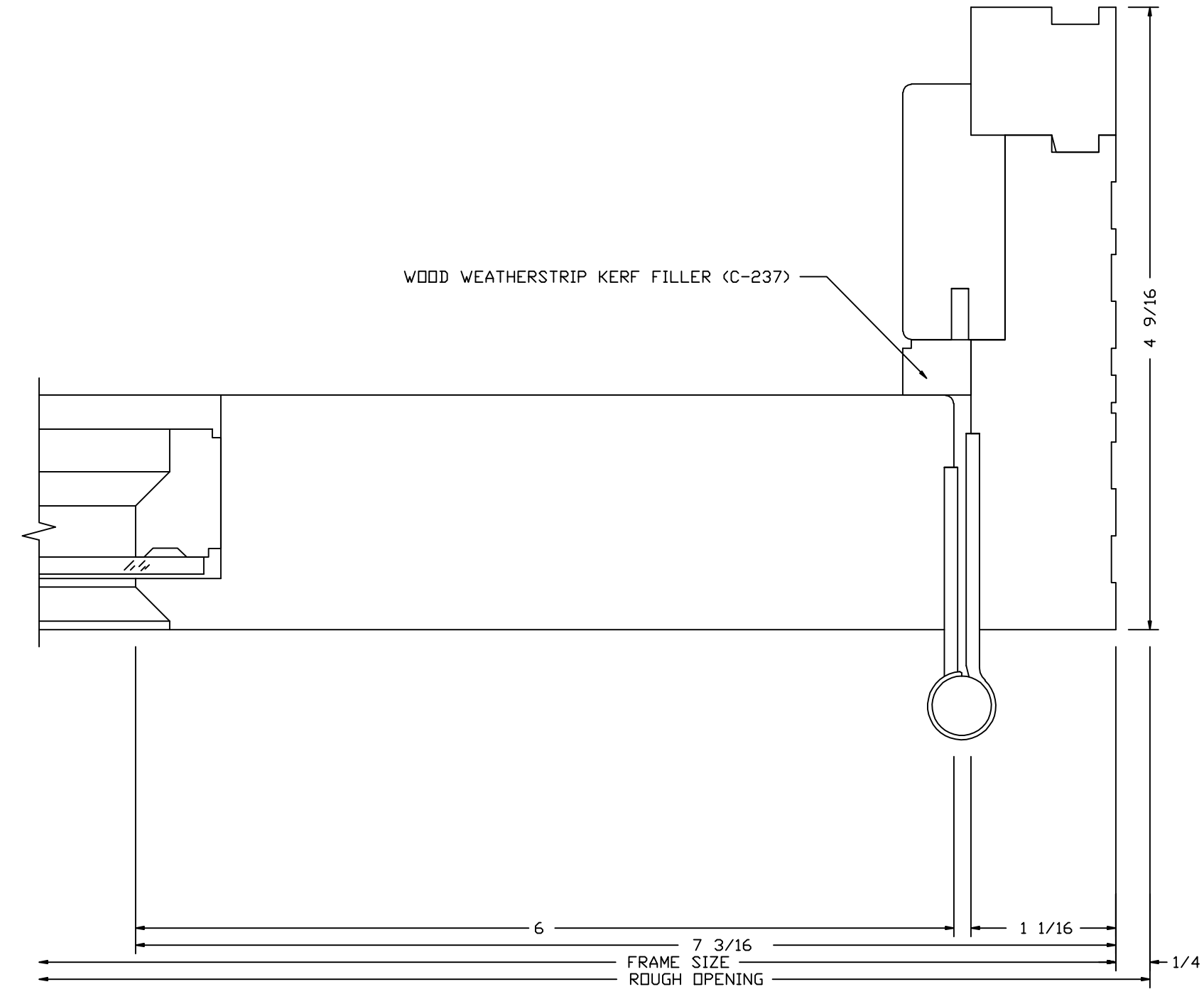
K SECTION NOT USED
2 Scale: 1" = 1"



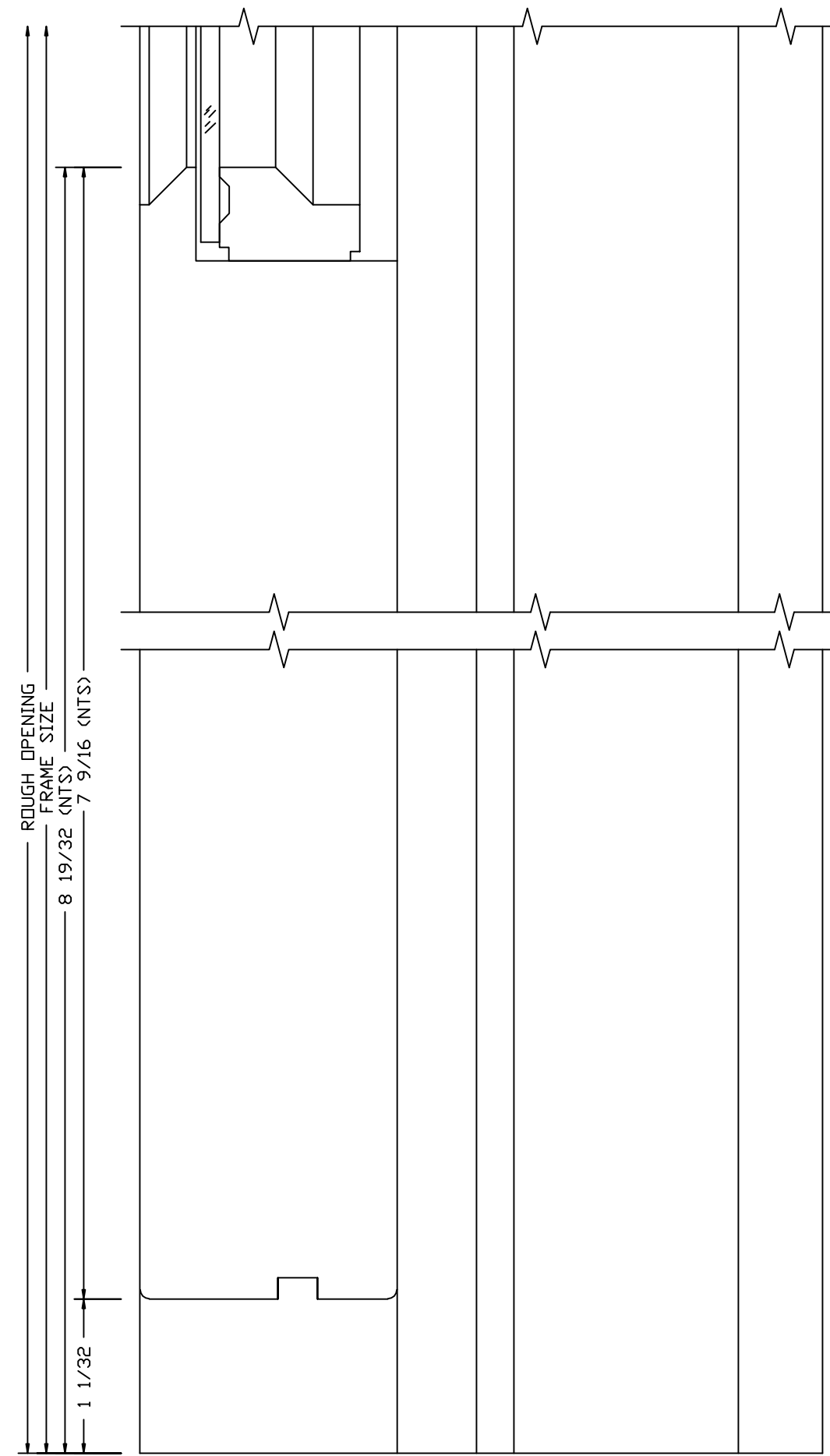
L WOOD MANOR DOOR HEAD DETAIL
3 STAT - 4 17/32" TOP RAIL Scale: 1" = 1"



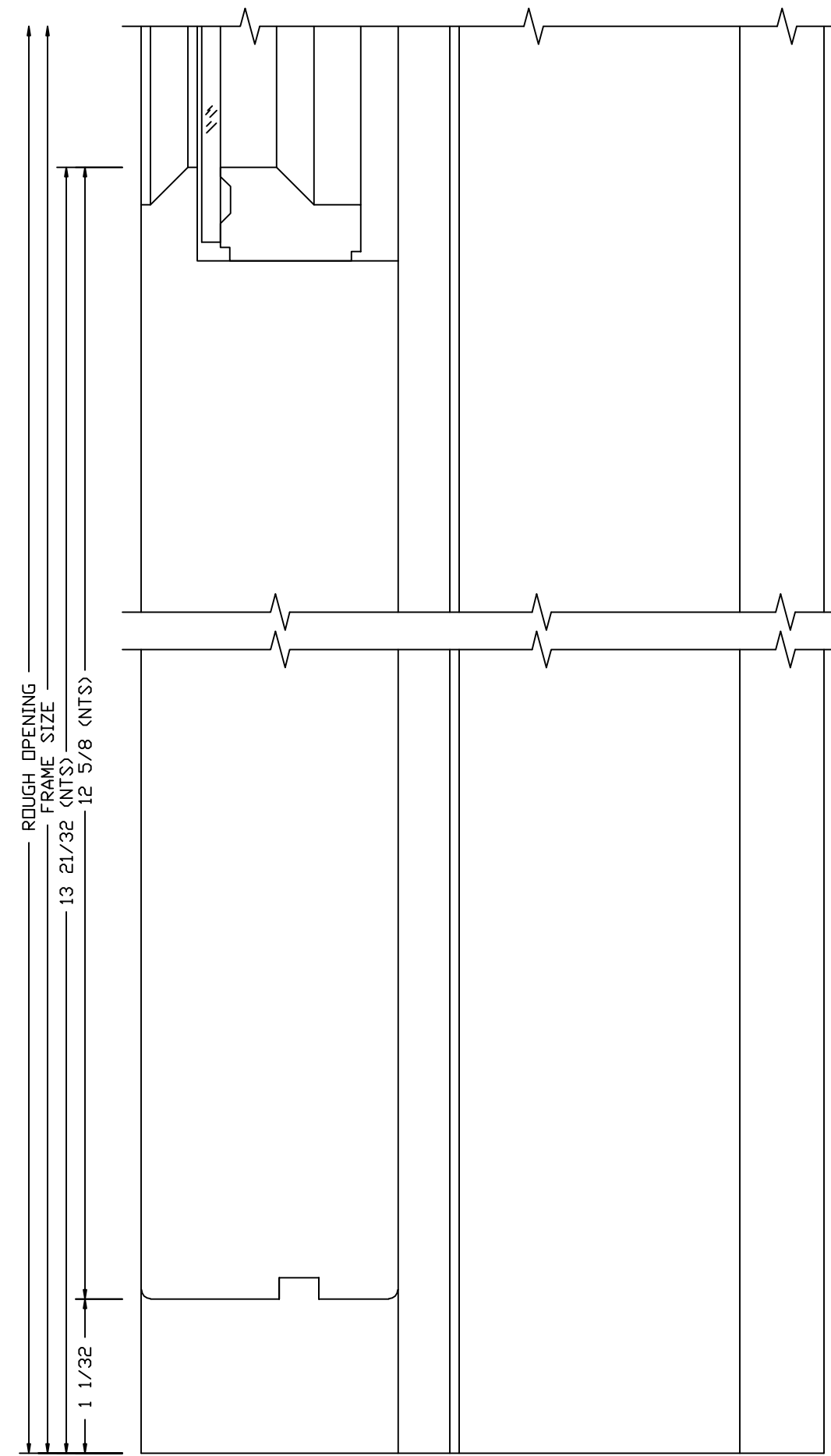
M WOOD MANOR DOOR HEAD DETAIL
3 ACTIVE - 6" TOP RAIL Scale: 1" = 1"



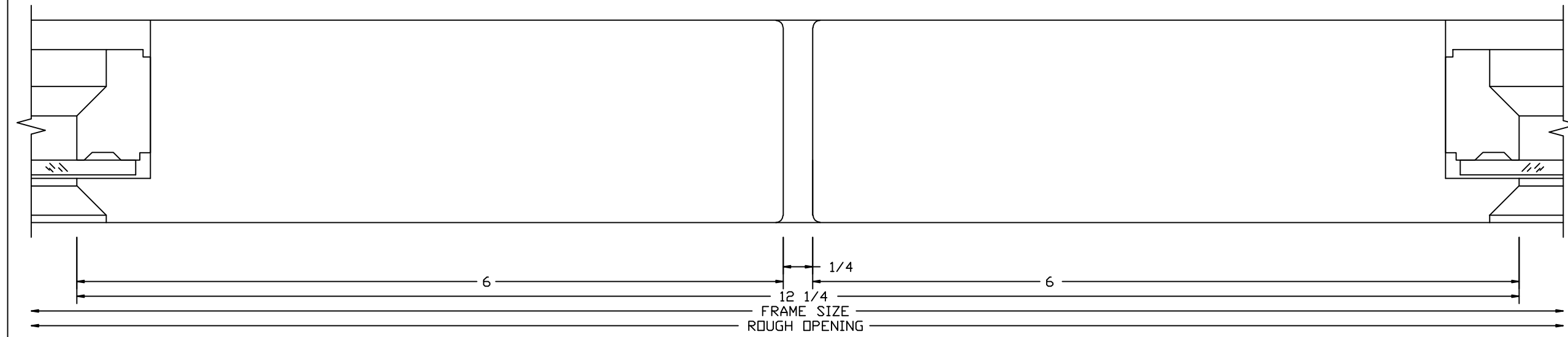
N WOOD MANOR DOOR JAMB DETAIL
3 6" HINGE STILE - NO SILL Scale: 1" = 1"



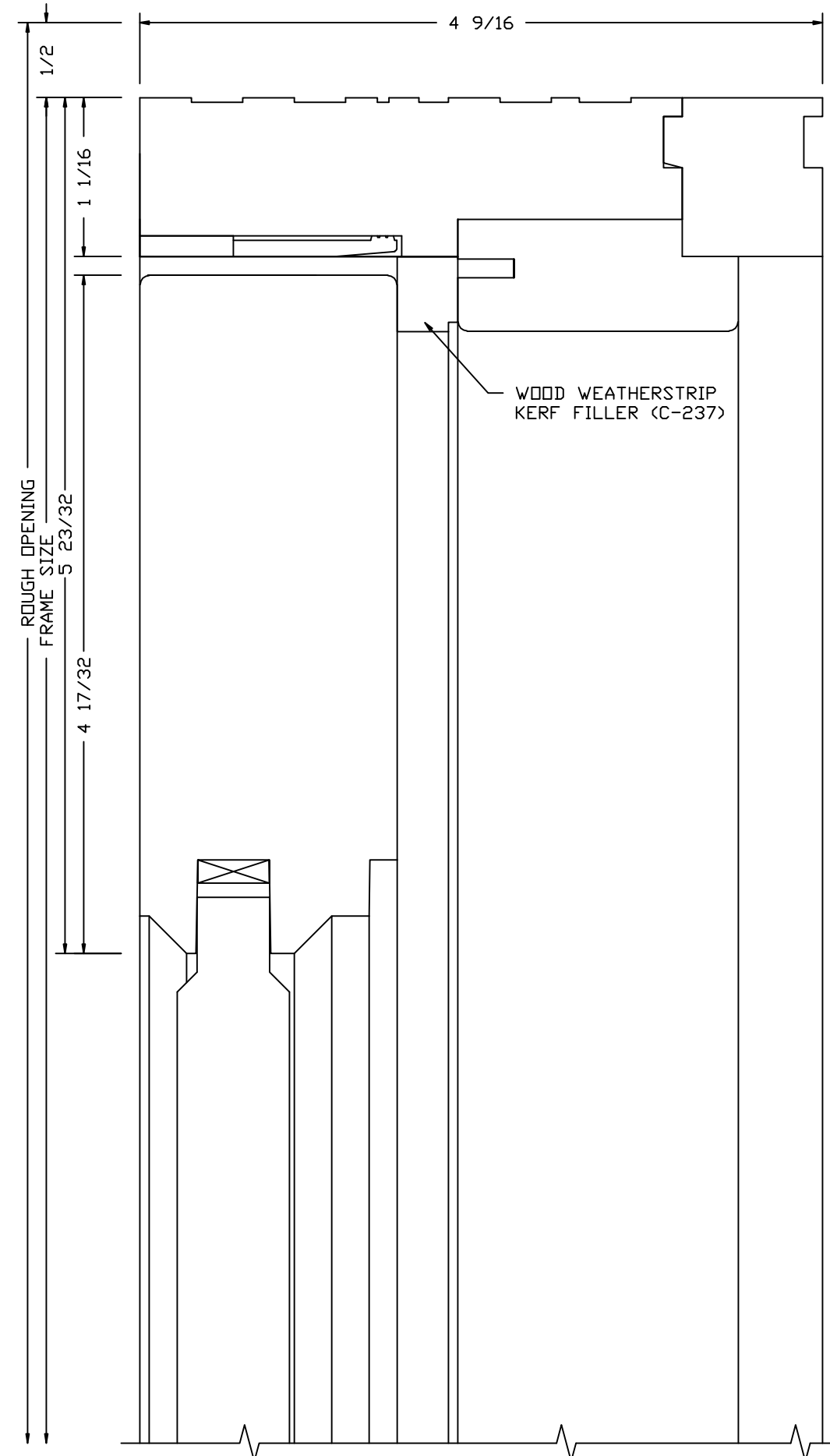
O WOOD MANOR DOOR SILL DETAIL
3 STAT - 7 9/16" BOTTOM RAIL - NO SILL Scale: 1" = 1"



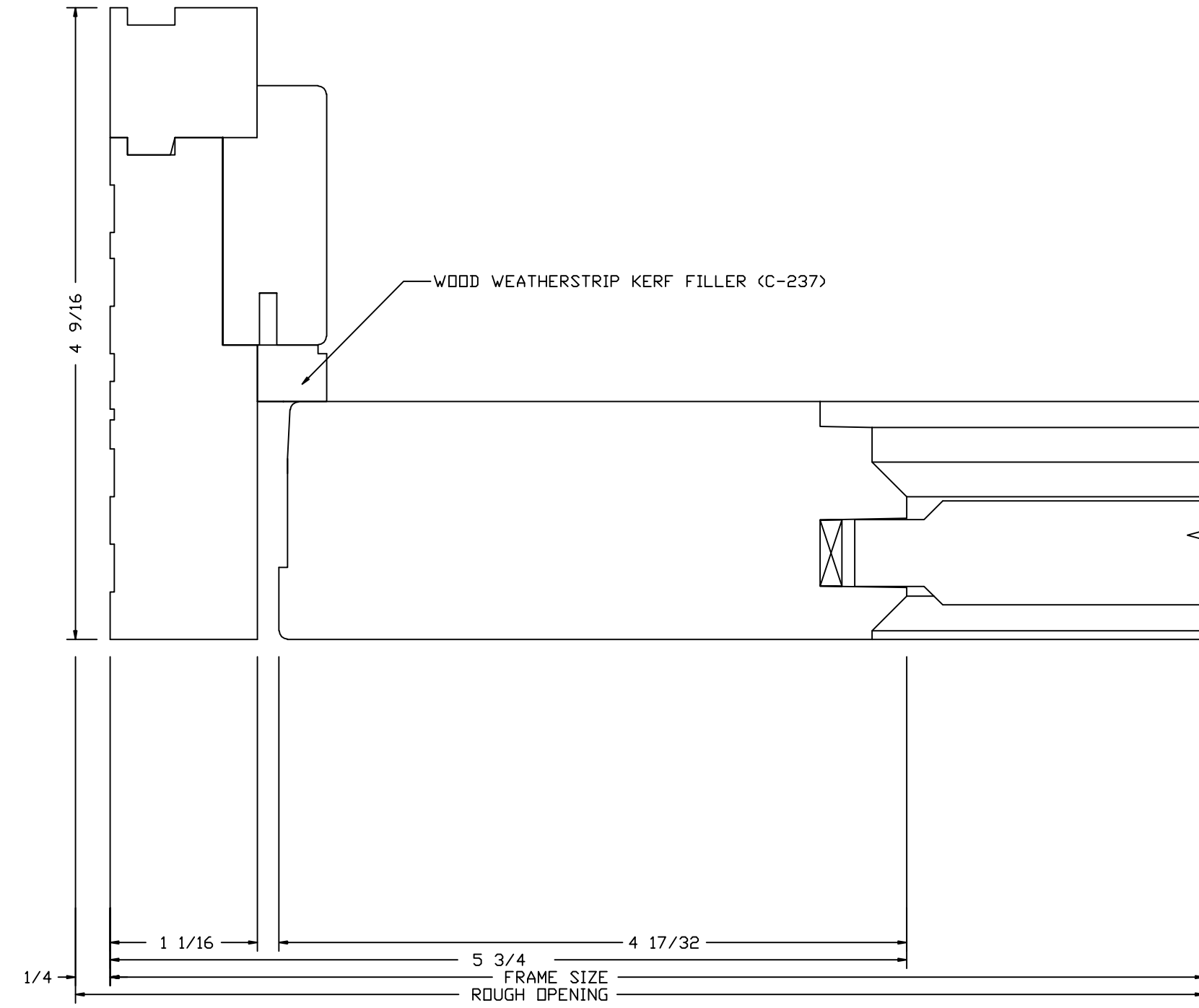
P WOOD MANOR DOOR SILL DETAIL
3 ACTIVE - 12 5/8" BOTTOM RAIL - NO SILL Scale: 1" = 1"



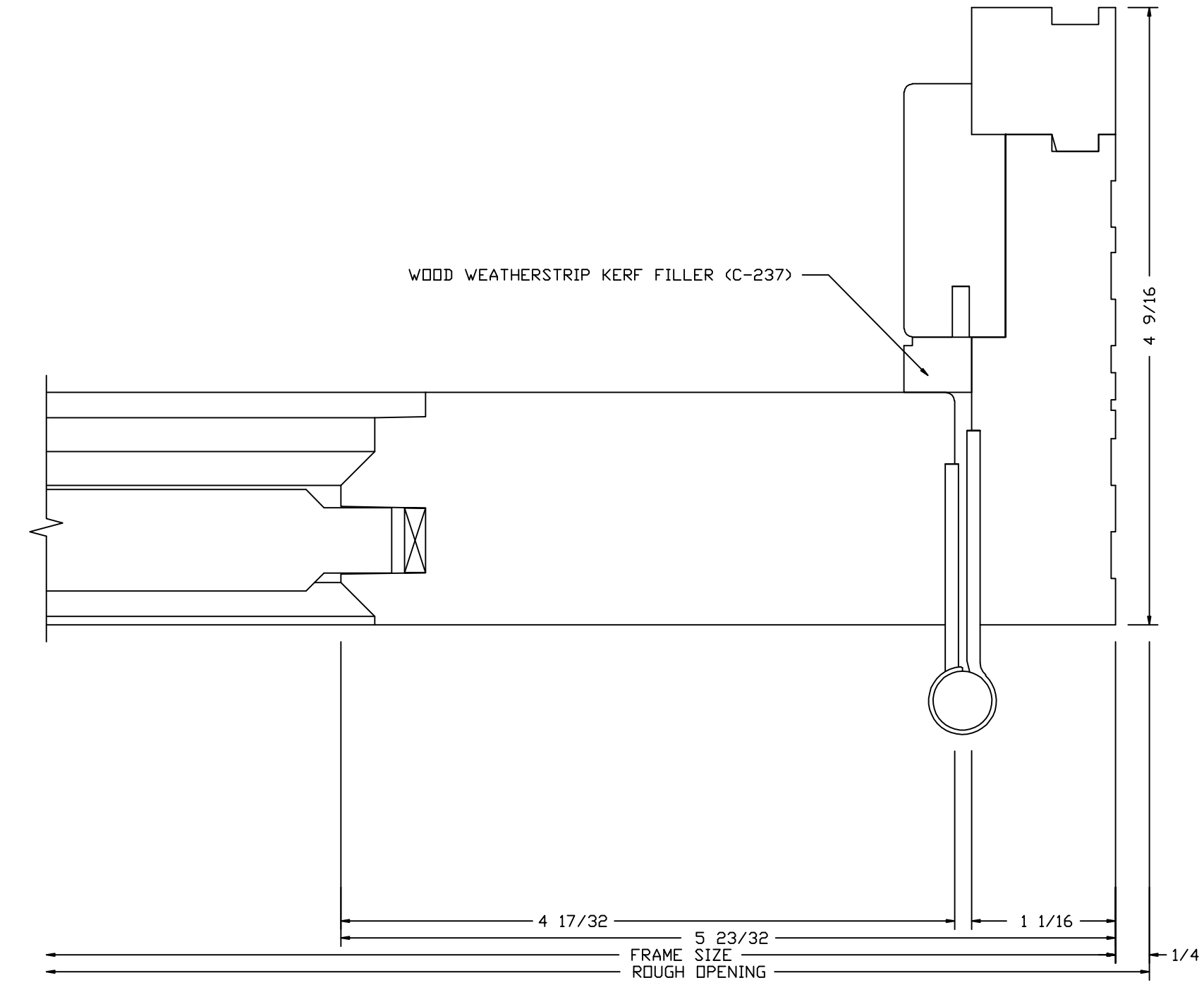
Q WOOD MANOR DOOR MEETING STILE DETAIL
3 NO ASTRAGAL - 6" STILES - NO CENTER CLOSURE - CUSTOM GAP Scale: 1" = 1"



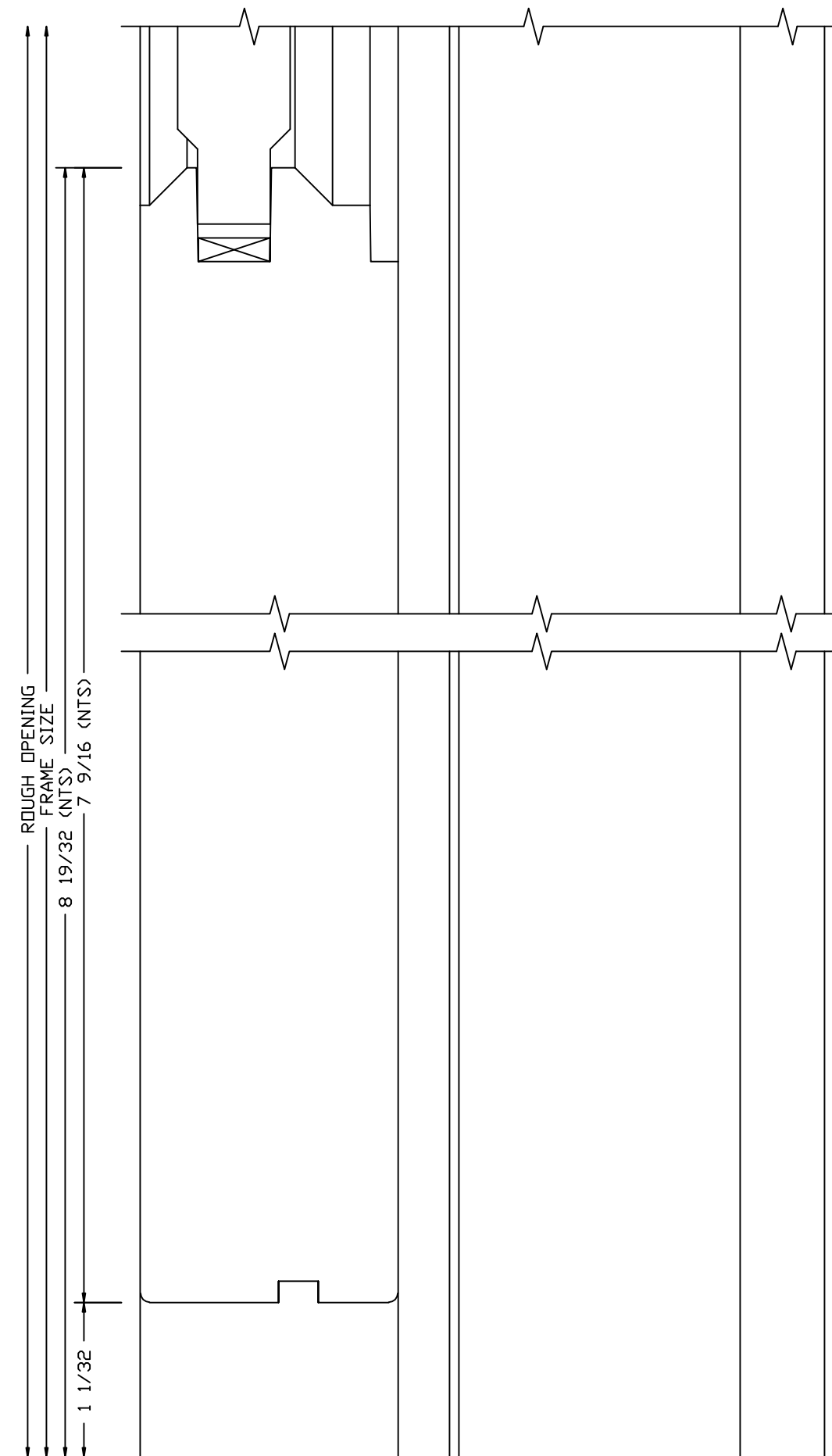
R WOOD MANOR DOOR HEAD DETAIL
4 ACTIVE - 4 17/32" TOP RAIL Scale: 1" = 1"



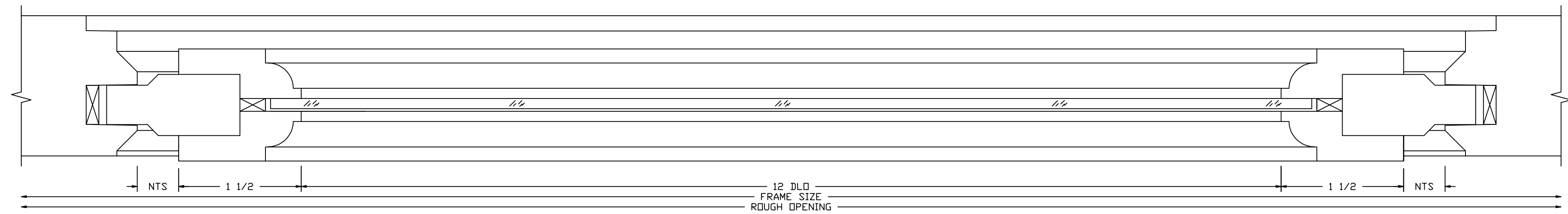
S WOOD MANOR DOOR JAMB DETAIL
4 4 17/32" LOCK STILE - NO SILL Scale: 1" = 1"



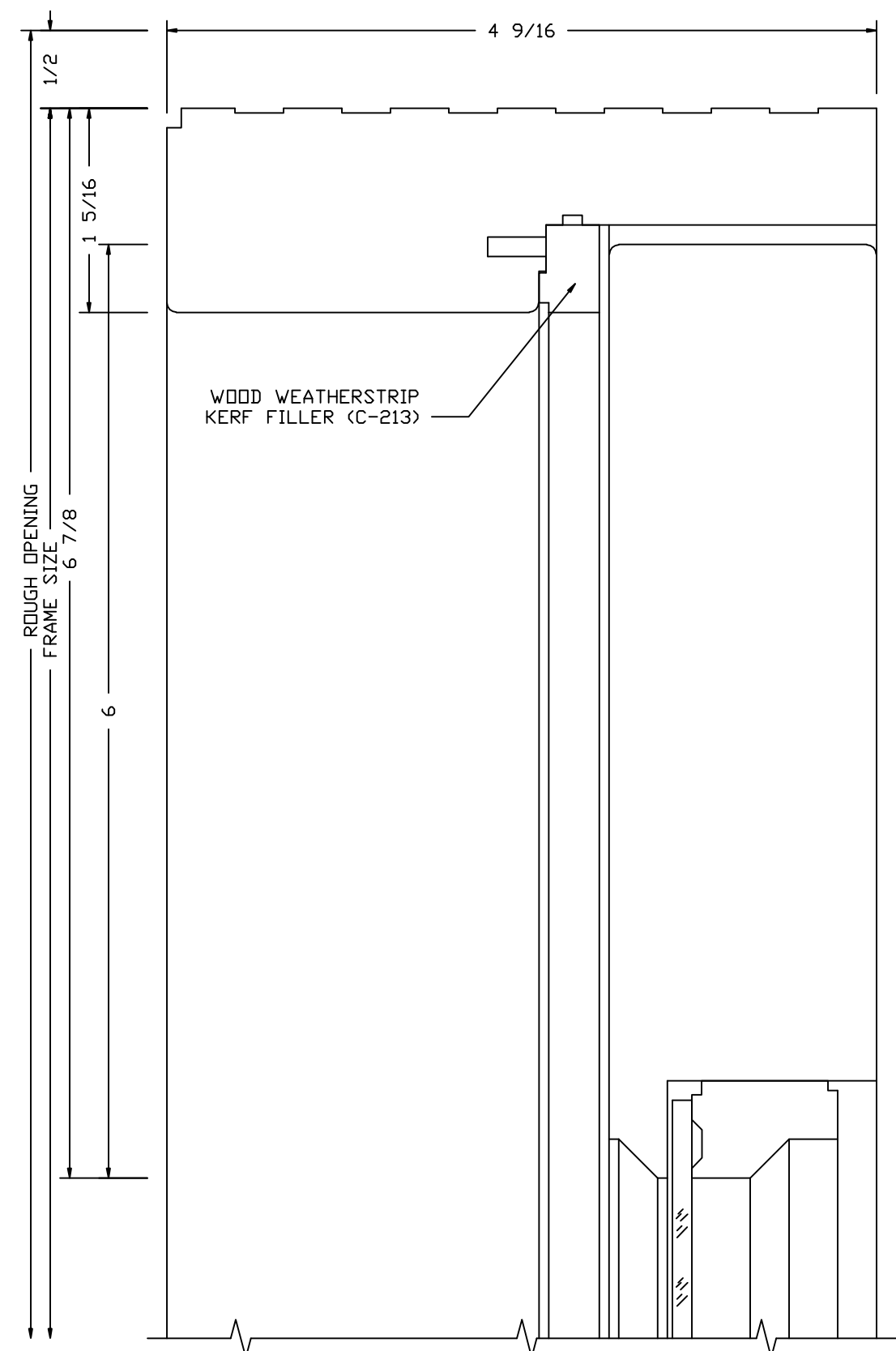
T WOOD MANOR DOOR JAMB DETAIL
4 4 17/32" HINGE STILE - NO SILL Scale: 1" = 1"



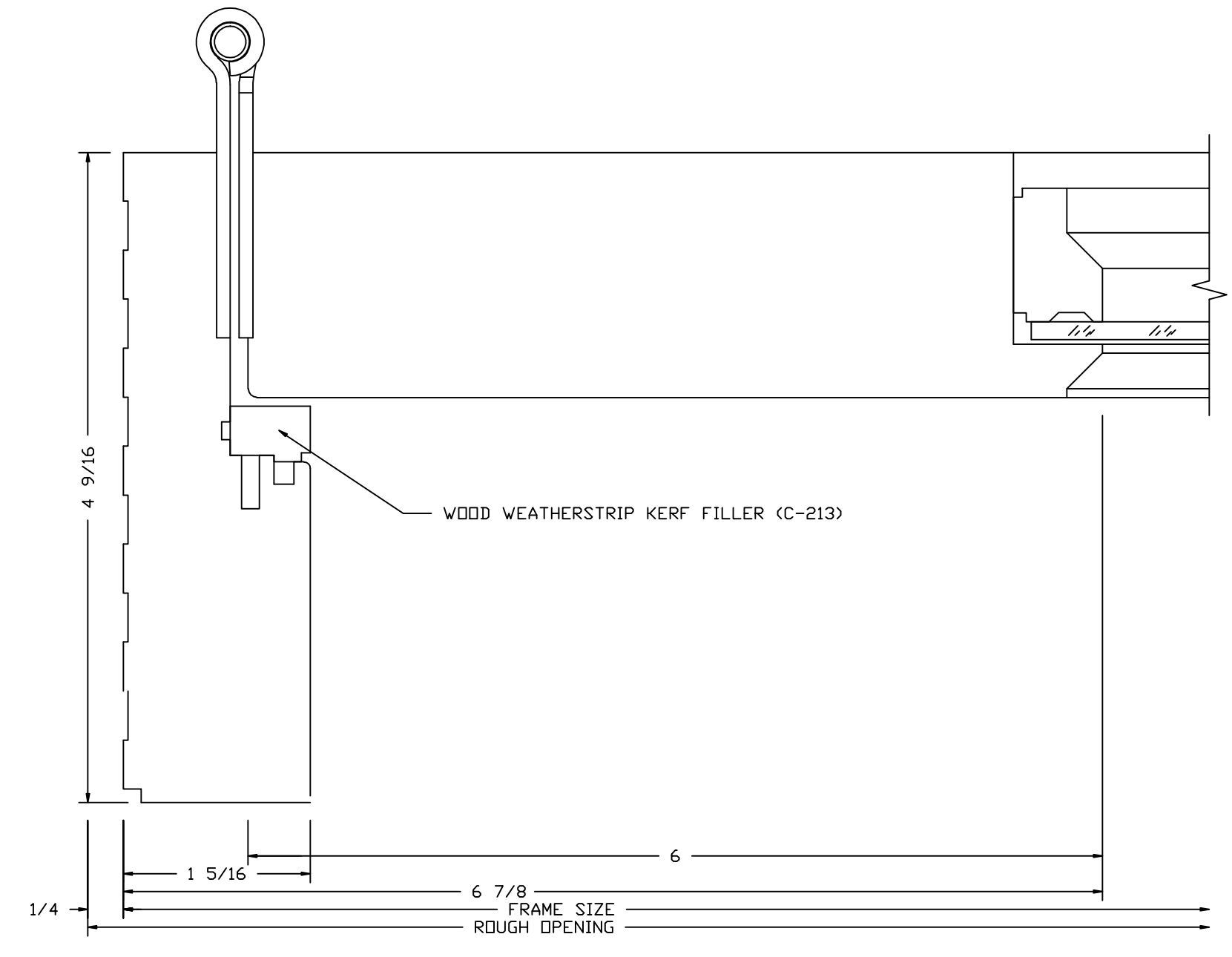
U WOOD MANOR DOOR SILL DETAIL
4 ACTIVE - 7 9/16" BOTTOM RAIL - NO SILL Scale: 1" = 1"



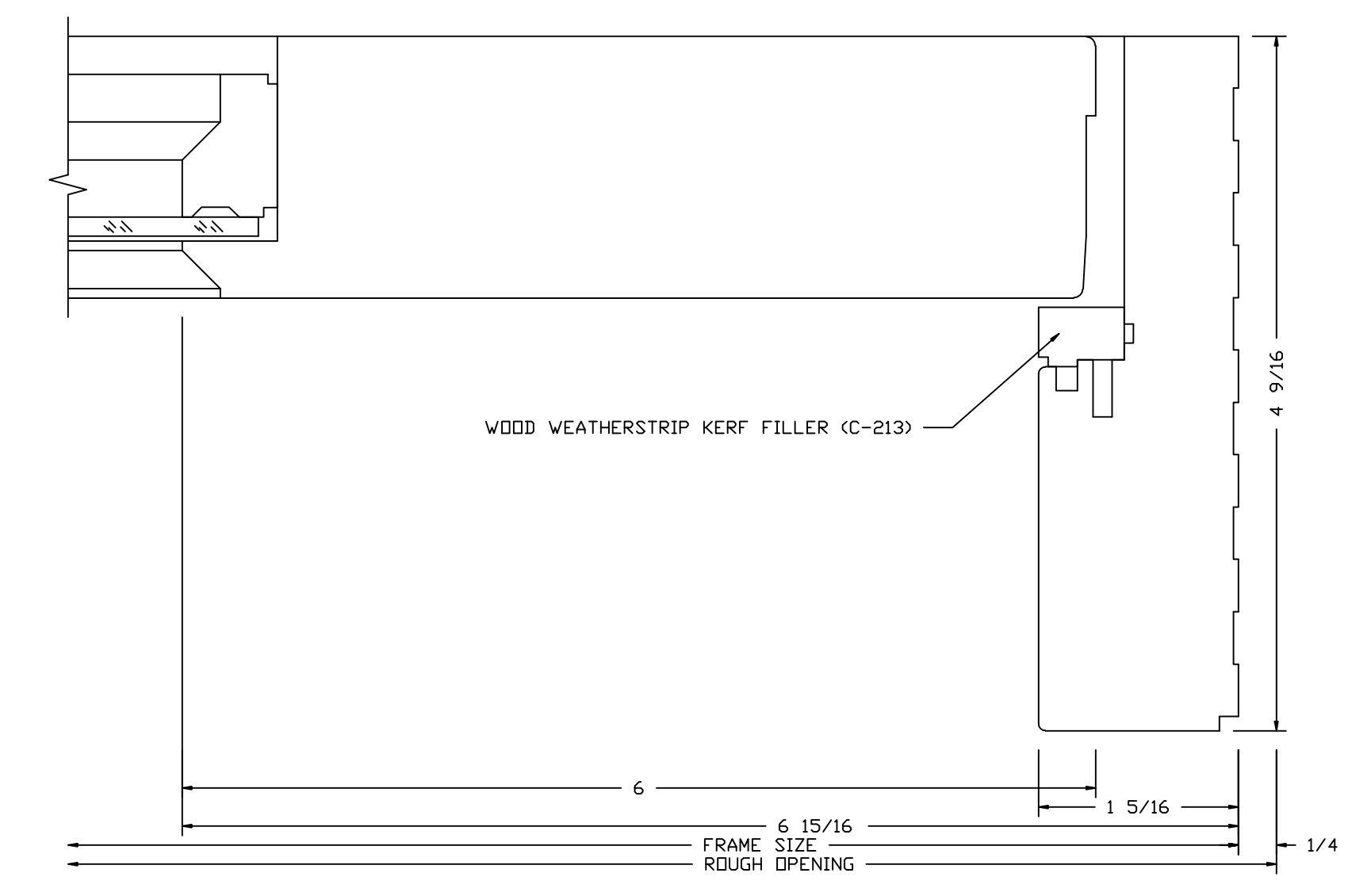
V WOOD MANOR DOOR GLASS INSERT DETAIL
4 SIMILAR TO SPEAK-EASY OPTION FROM DRAWING C-906 Scale: 1" = 1"



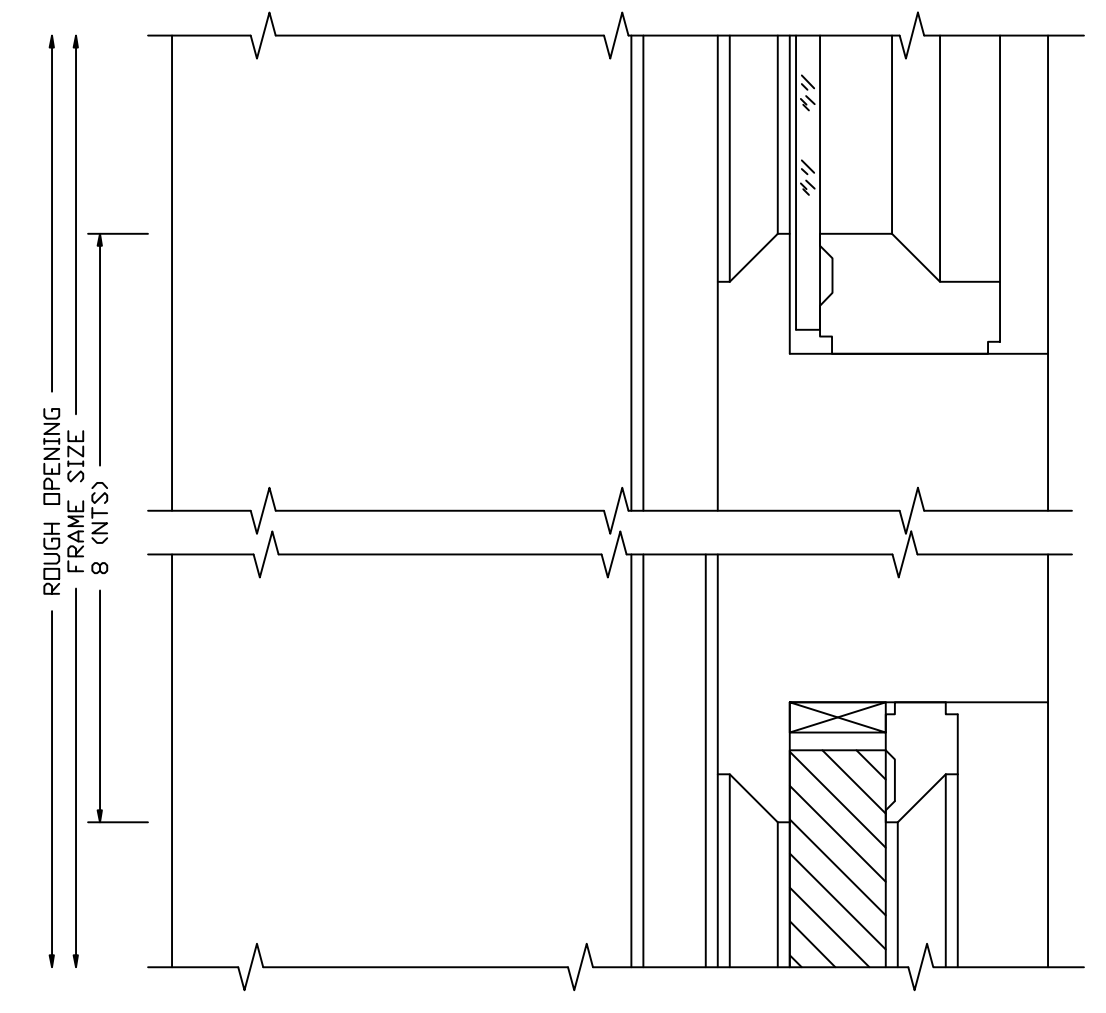
W
5 WOOD TRADITIONAL DOOR HEAD DETAIL
ACTIVE - 6" TOP RAIL Scale: 1" = 1"



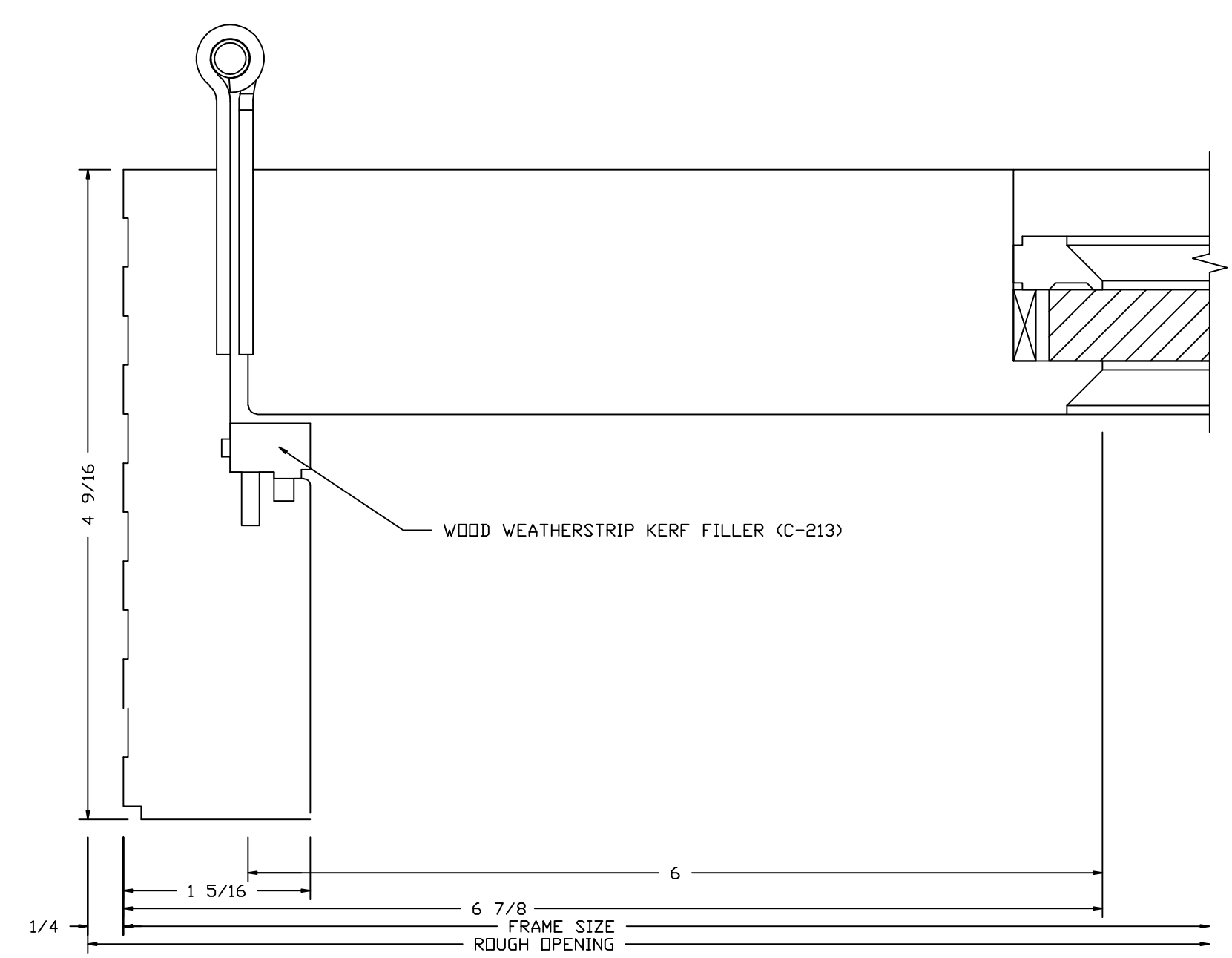
Z
5 WOOD TRADITIONAL DOOR JAMB DETAIL
6" HINGE STILE - NO SILL Scale: 1" = 1"



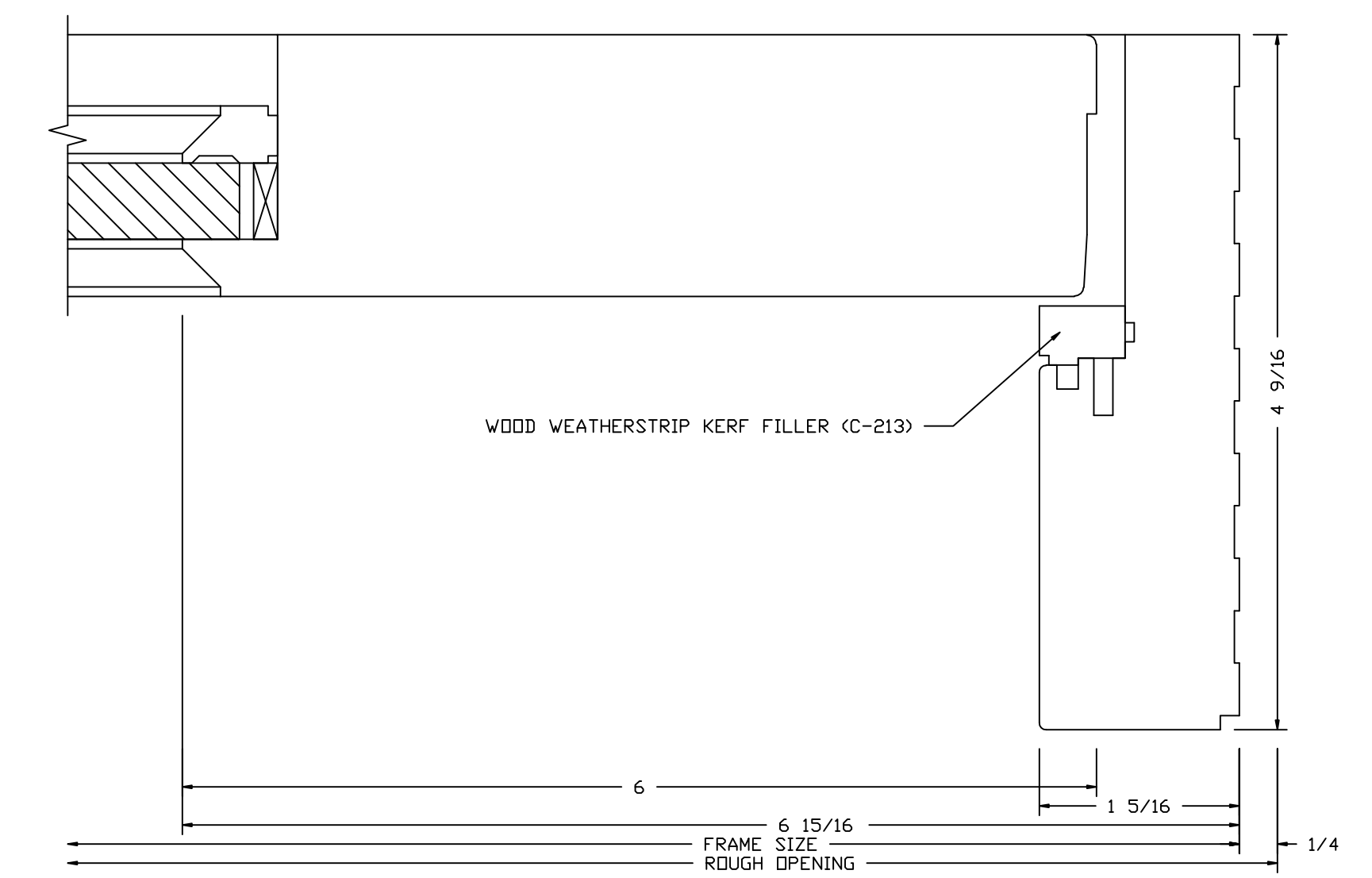
AA
5 WOOD TRADITIONAL DOOR JAMB DETAIL
LOCK STILE - NO SILL Scale: 1" = 1"



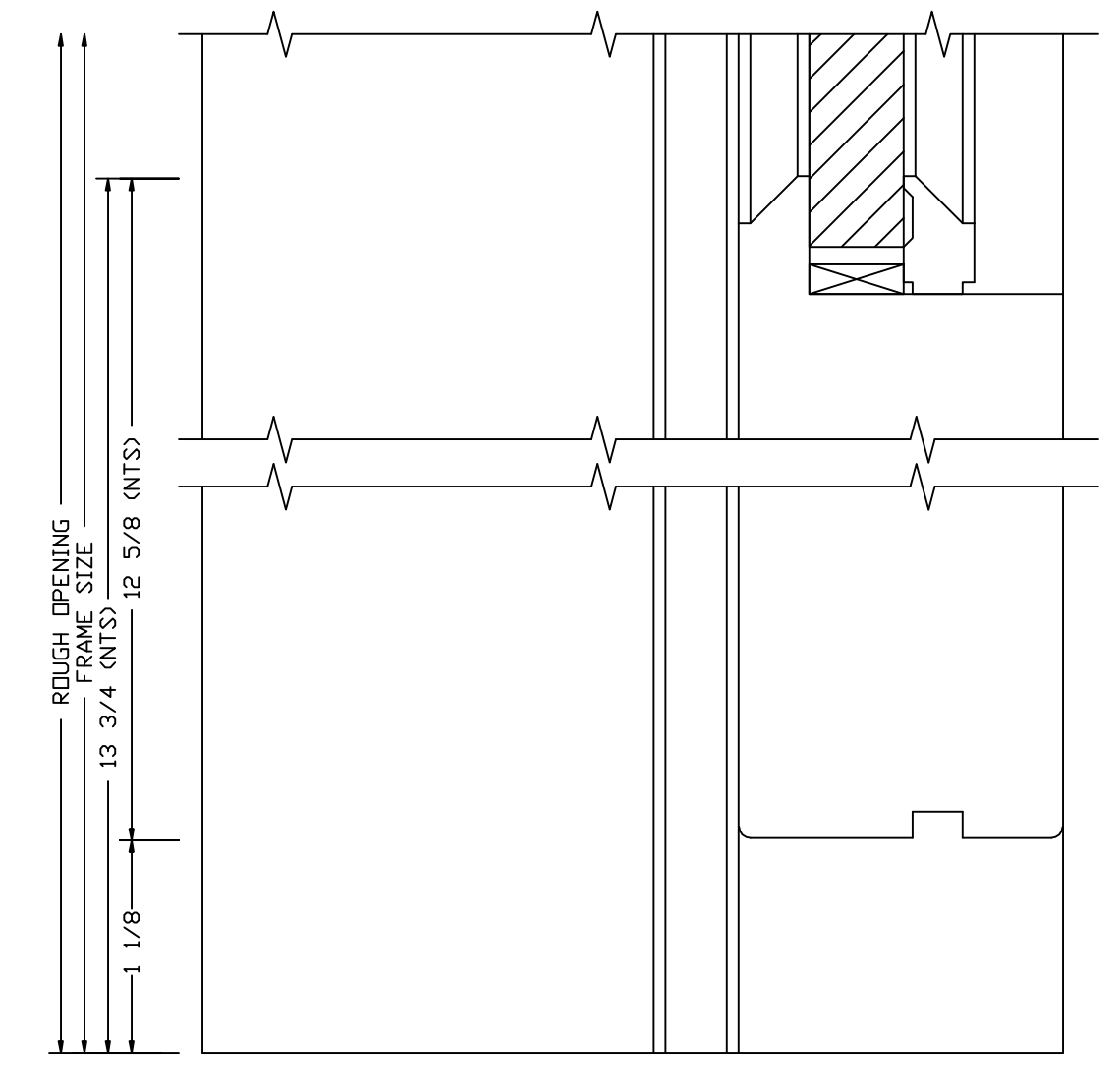
X
5 WOOD TRADITIONAL DOOR LOCK RAIL DETAIL
ACTIVE - 8" RAIL Scale: 1" = 1"



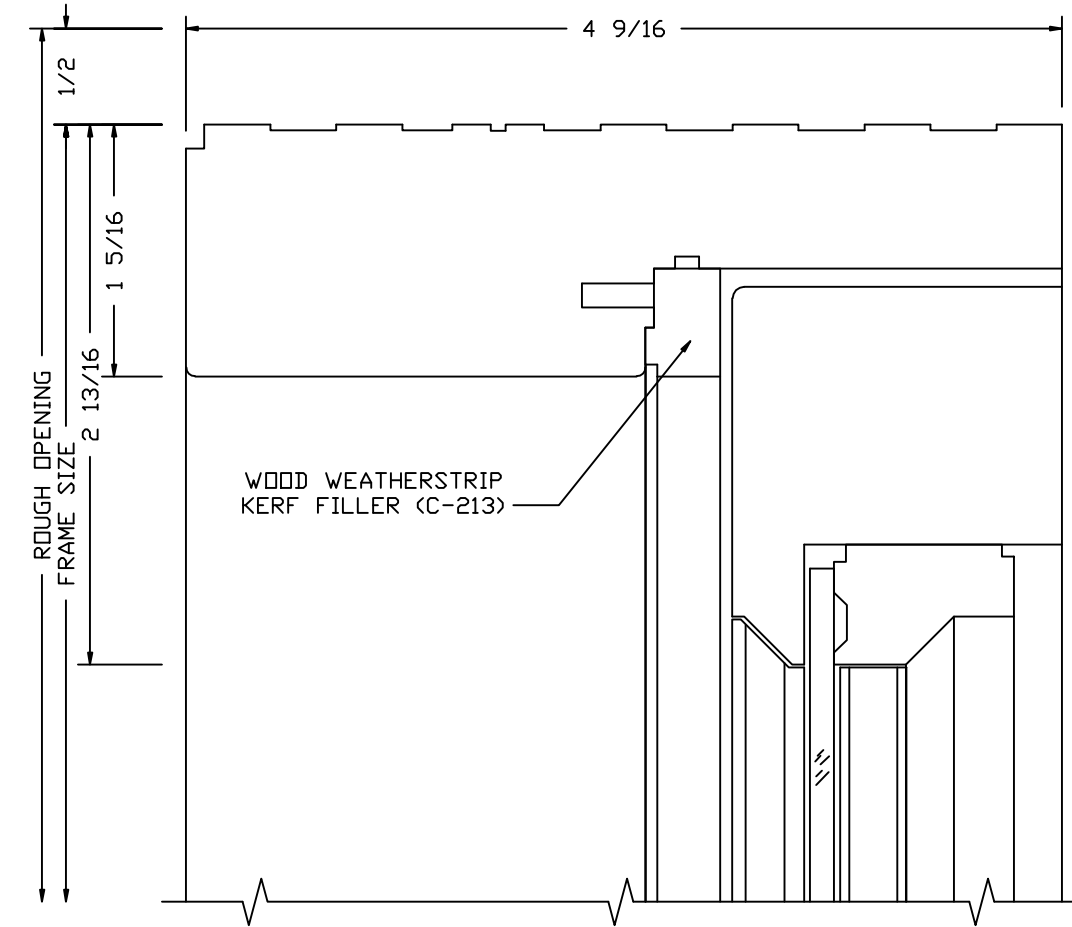
BB
5 WOOD TRADITIONAL DOOR JAMB DETAIL
6" HINGE STILE - NO SILL Scale: 1" = 1"



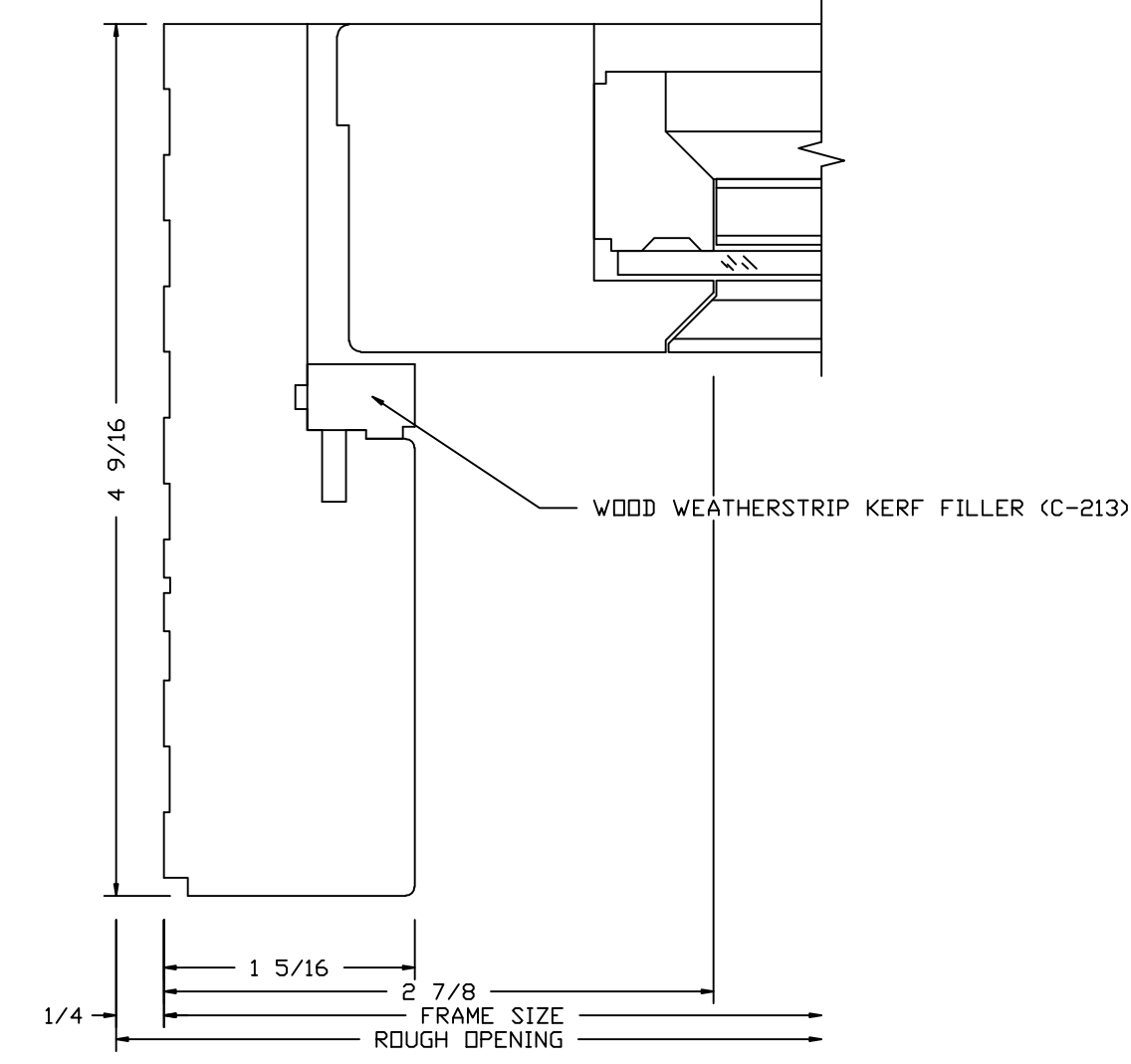
CC
5 WOOD TRADITIONAL DOOR JAMB DETAIL
LOCK STILE - NO SILL Scale: 1" = 1"



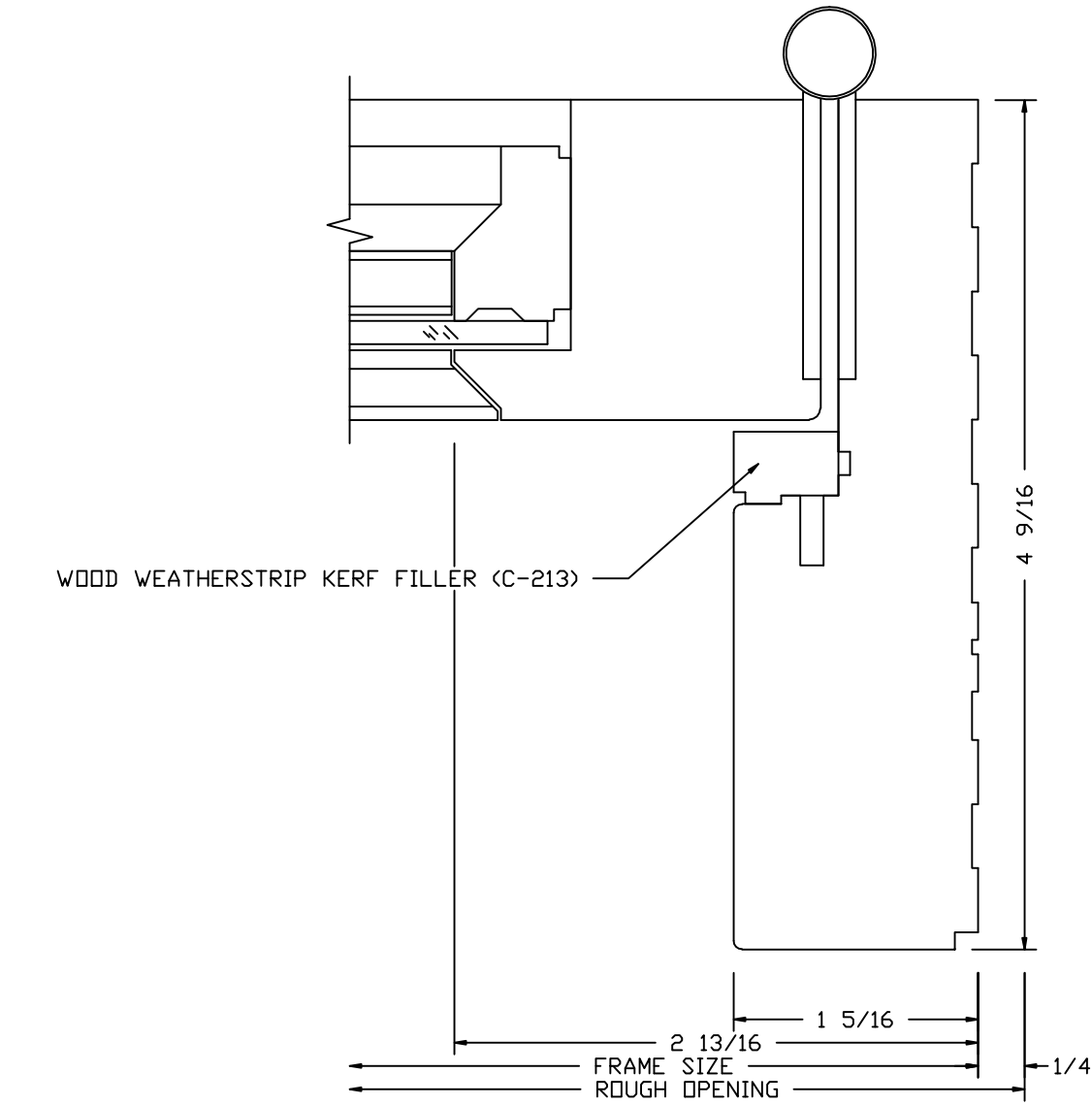
Y
5 WOOD TRADITIONAL DOOR SILL DETAIL
ACTIVE - NO SILL - 12 5/8" BOTTOM RAIL Scale: 1" = 1"



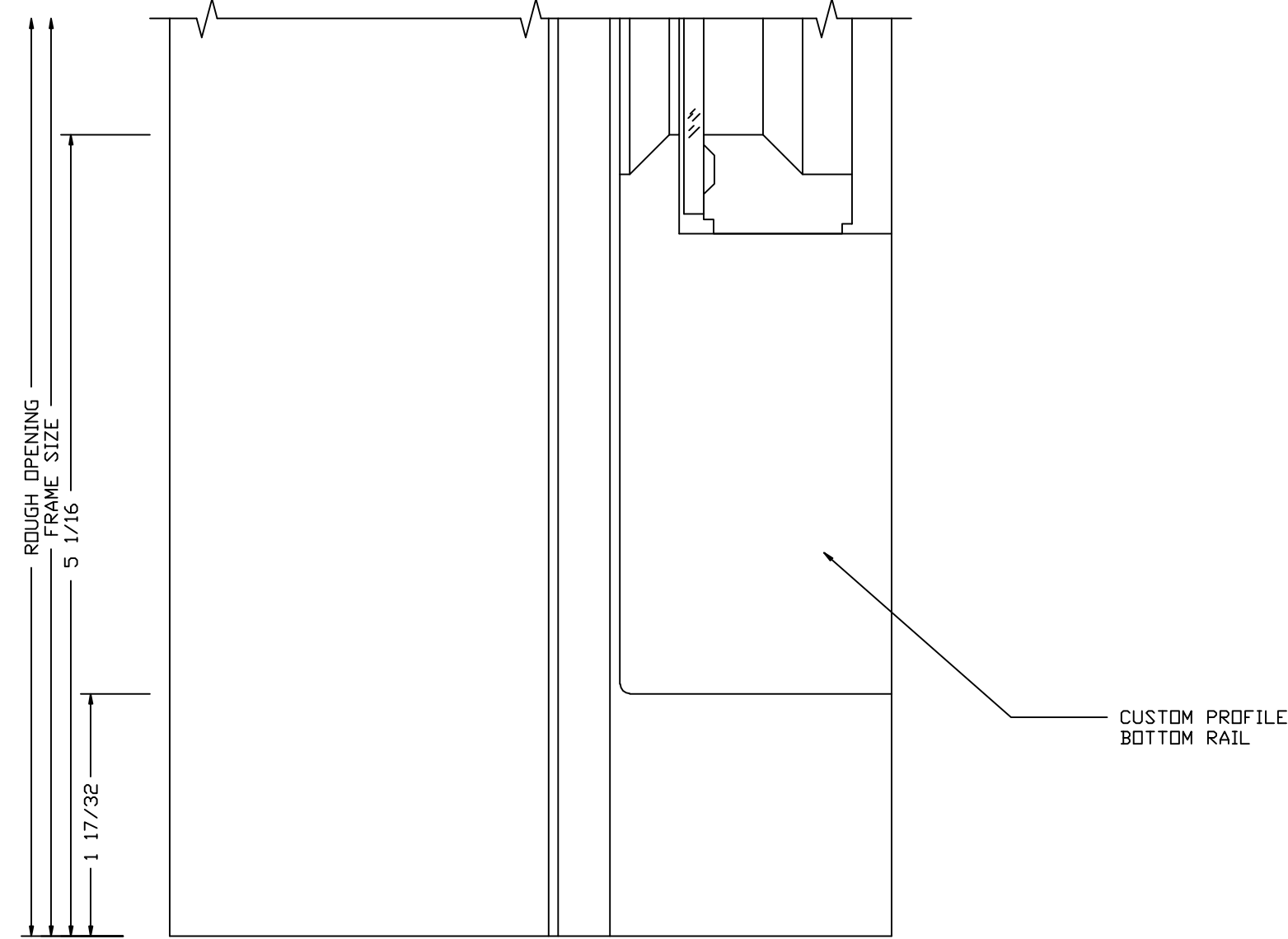
DD WOOD INSWING CASEMENT HEAD DETAIL
6 Scale: 1" = 1"



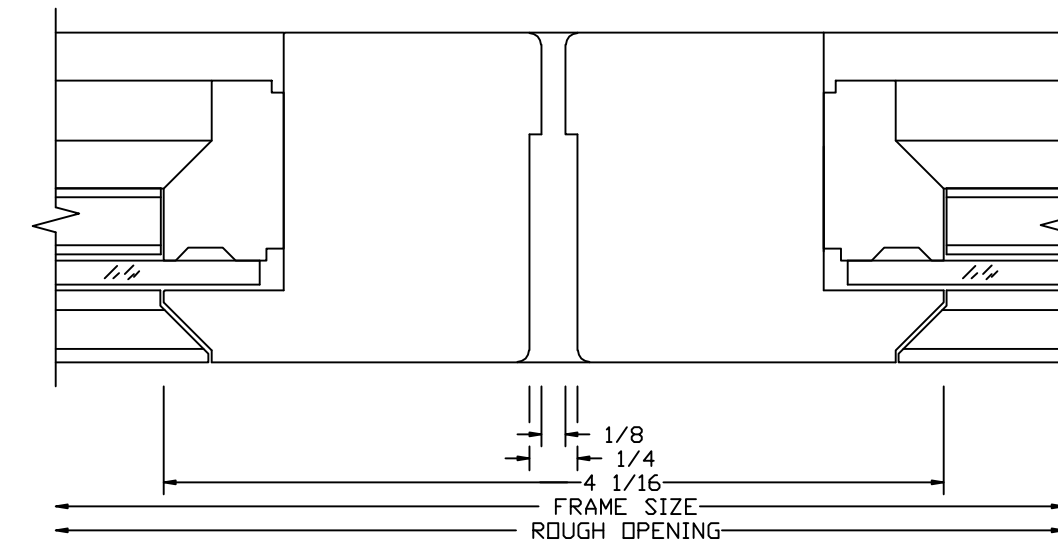
EE WOOD INSWING CASEMENT JAMB DETAIL
6 LOCK STILE - NO SILL Scale: 1" = 1"



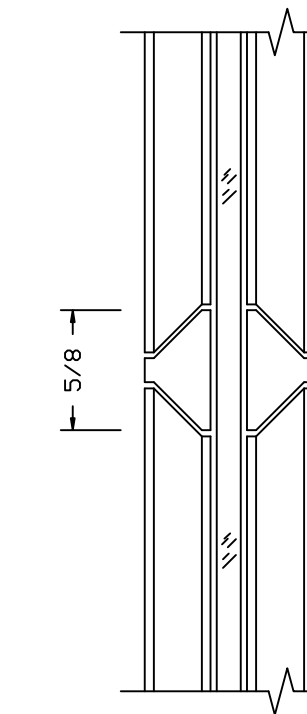
FF WOOD INSWING CASEMENT JAMB DETAIL
6 HINGE STILE - NO SILL Scale: 1" = 1"



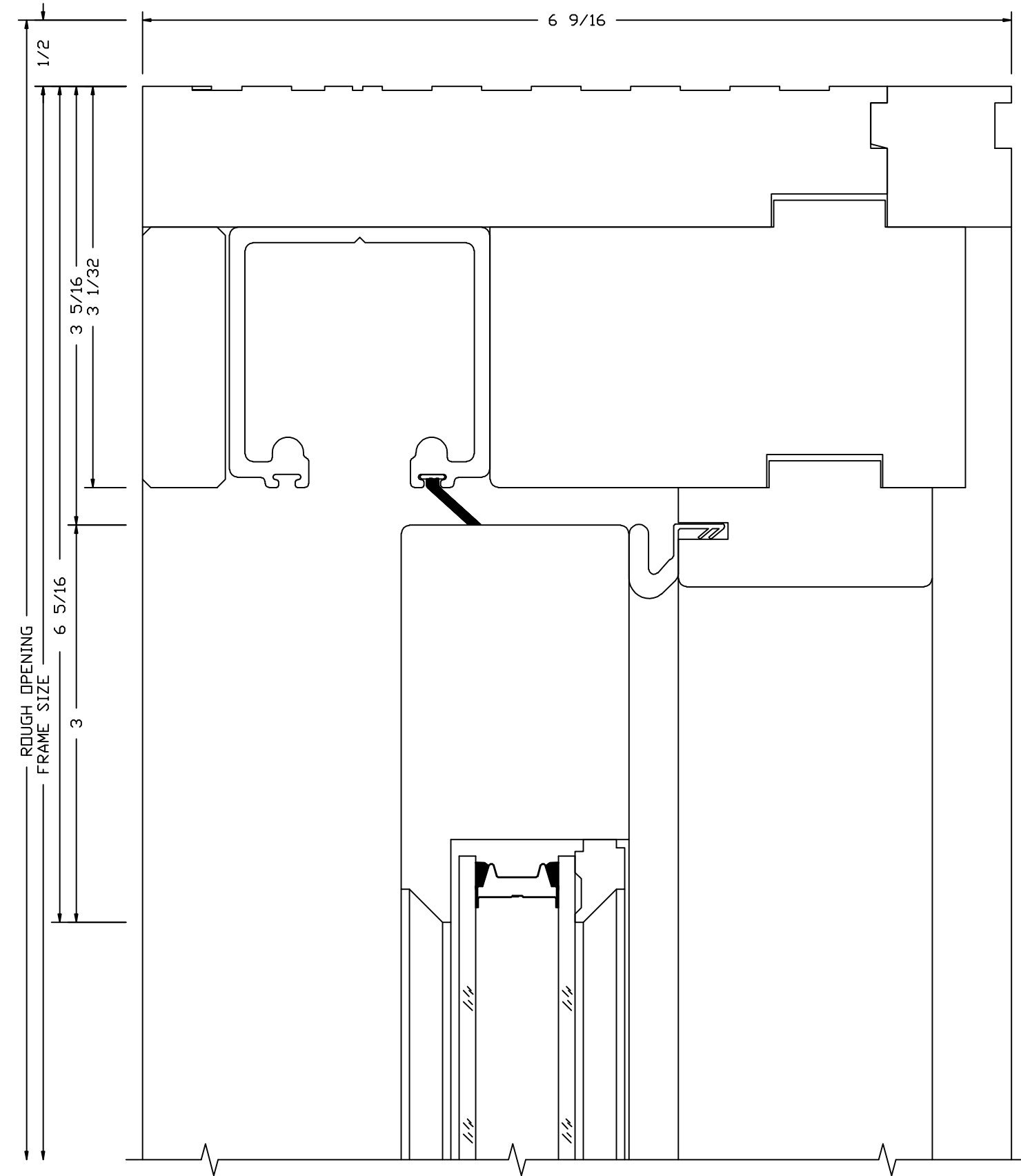
GG WOOD INSWING CASEMENT SILL DETAIL
6 ACTIVE - NO SILL - NO WEATHERSTRIP Scale: 1" = 1"



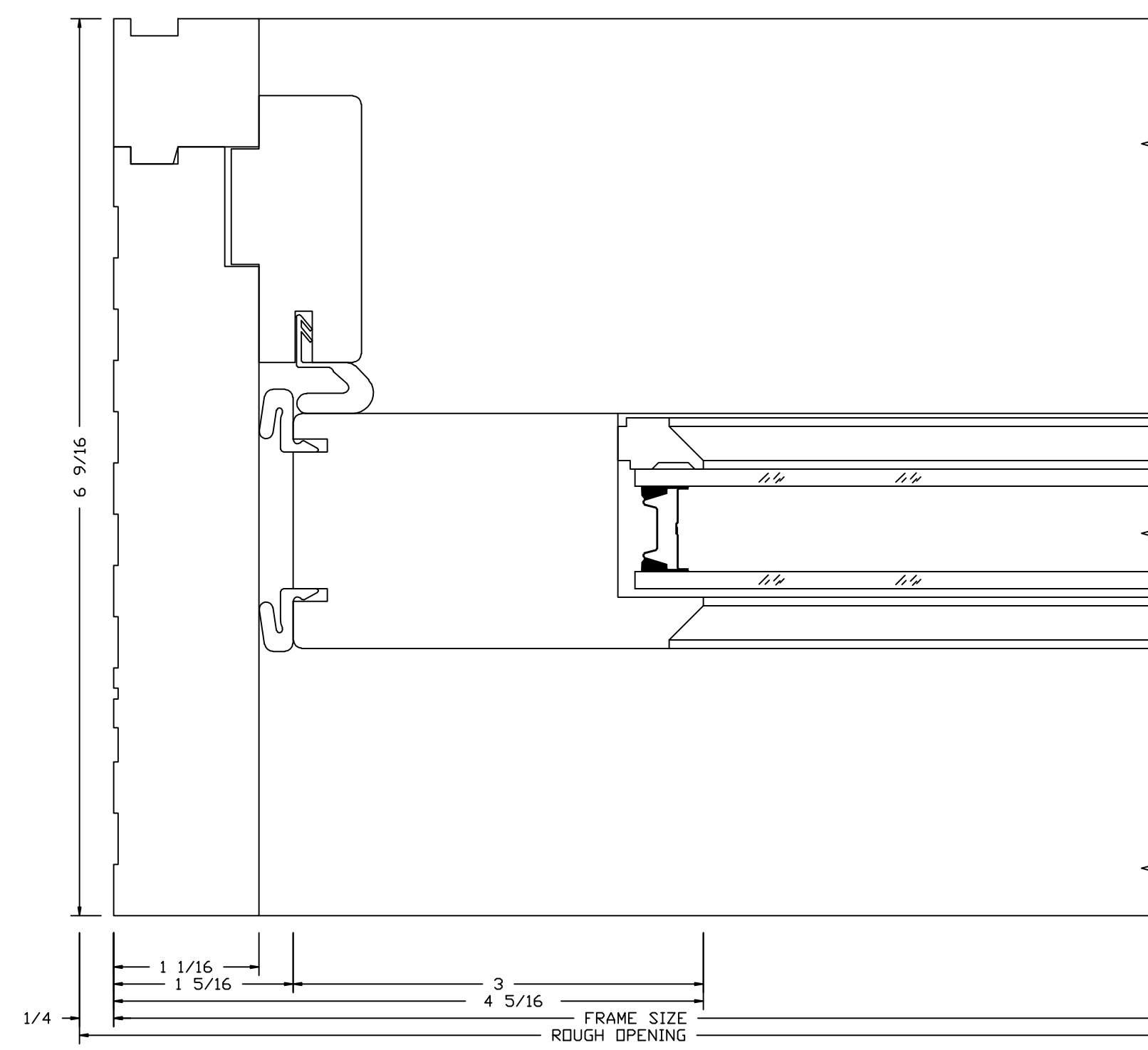
HH WOOD INSWING FRENCH CASEMENT MEETING STILE DETAIL
6 NO ASTRAGAL - CUSTOM GAP - NO SILL Scale: 1" = 1"



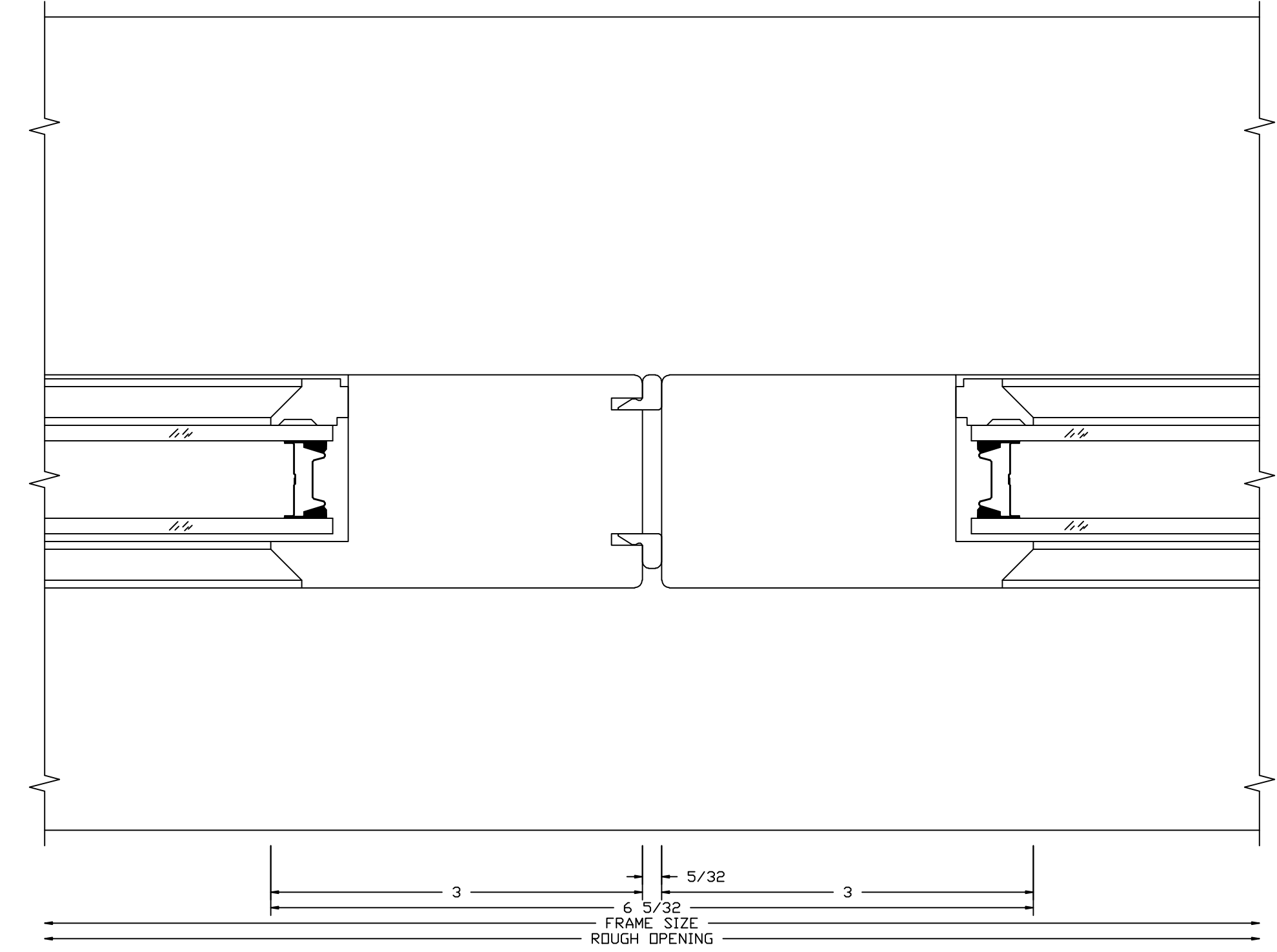
II 5/8" PDL BAR DETAIL
6 WOOD BAR BOTH SIDES Scale: 1" = 1"



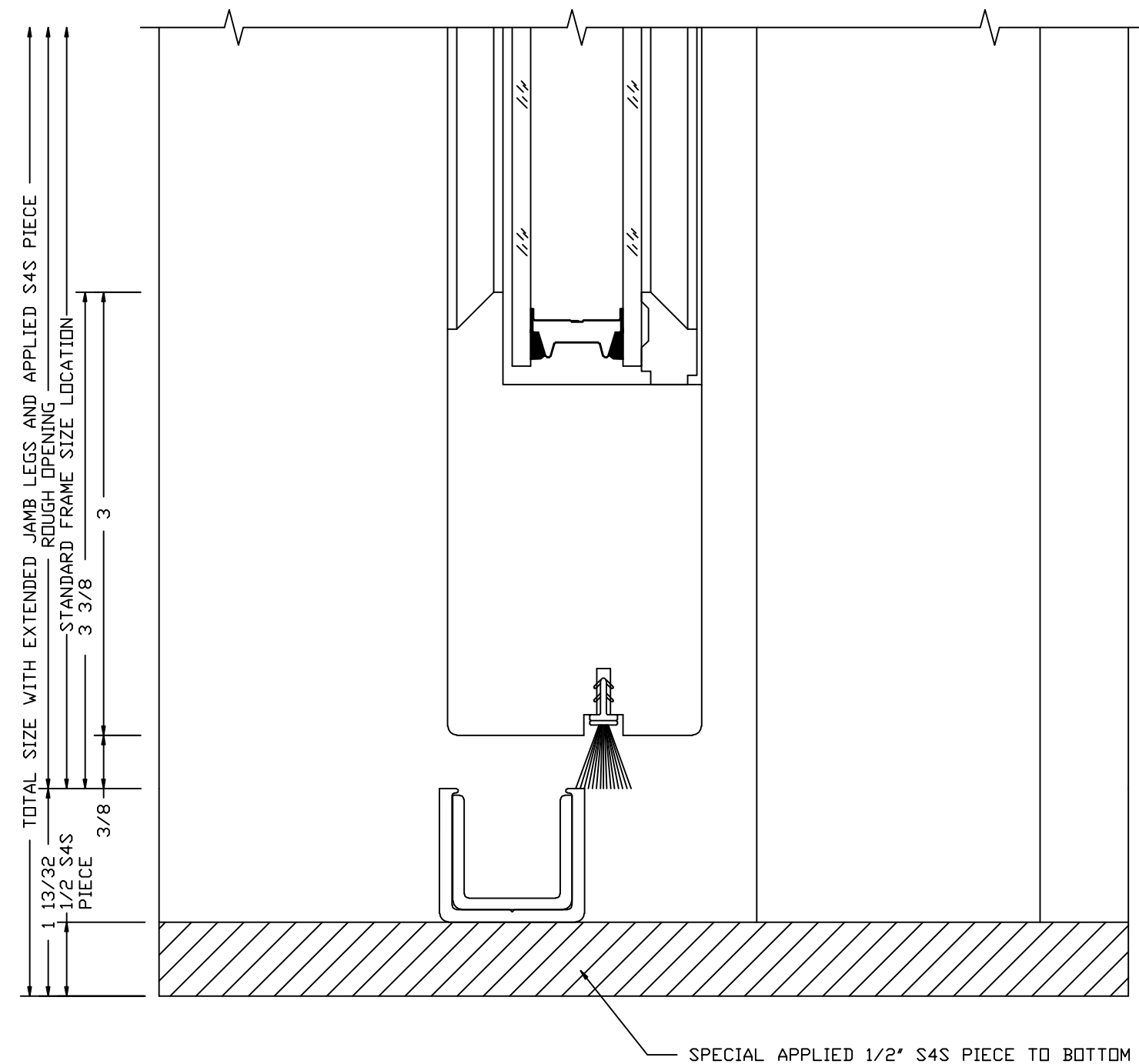
JJ WOOD FOLDING DOOR HEAD DETAIL
 7 6 9/16" JAMB - NO SCREEN
 Scale: 1" = 1"



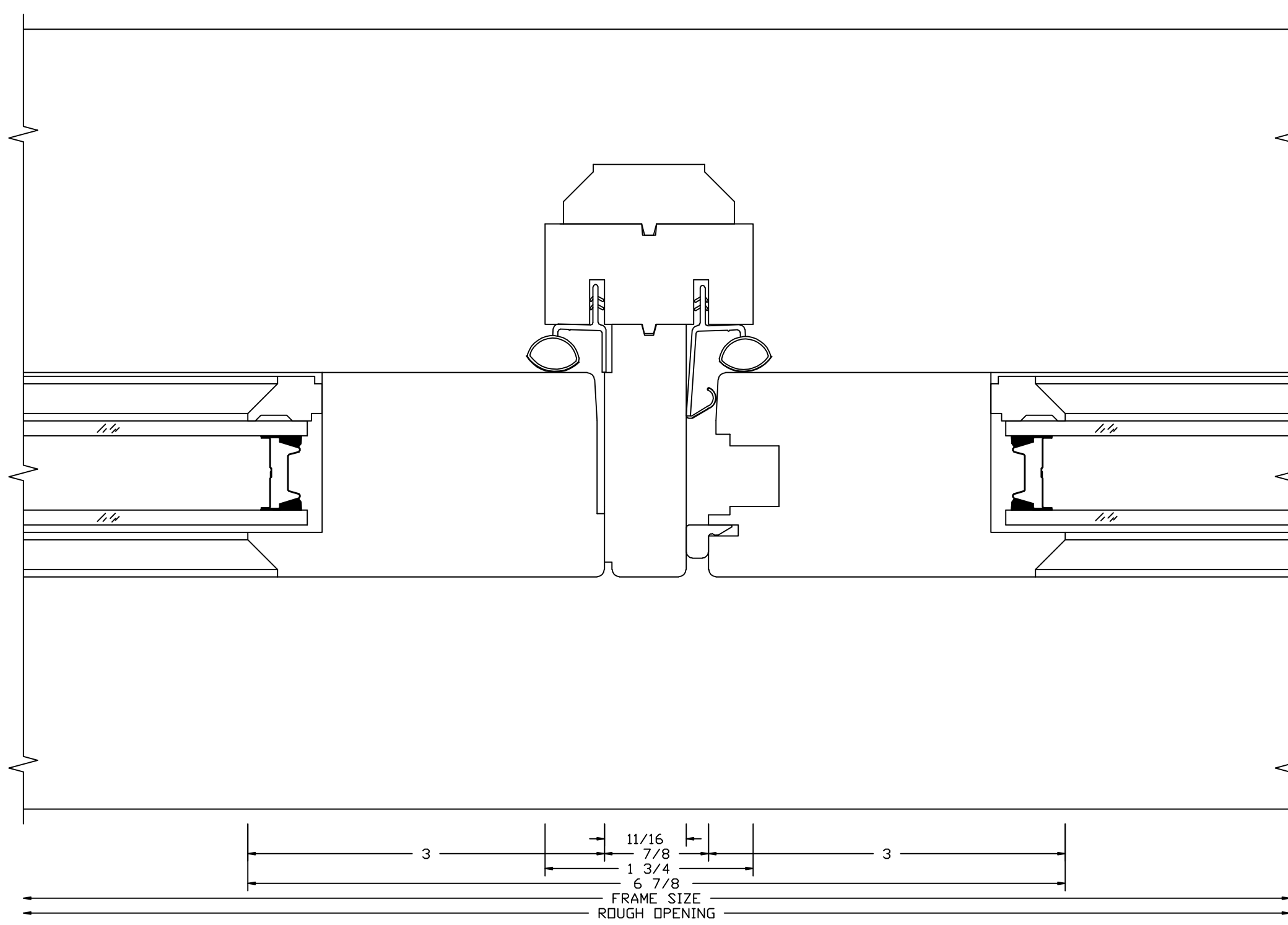
KK WOOD FOLDING DOOR JAMB DETAIL
 7 6 9/16" JAMB - NO SCREEN - RECESSED SILL
 Scale: 1" = 1"



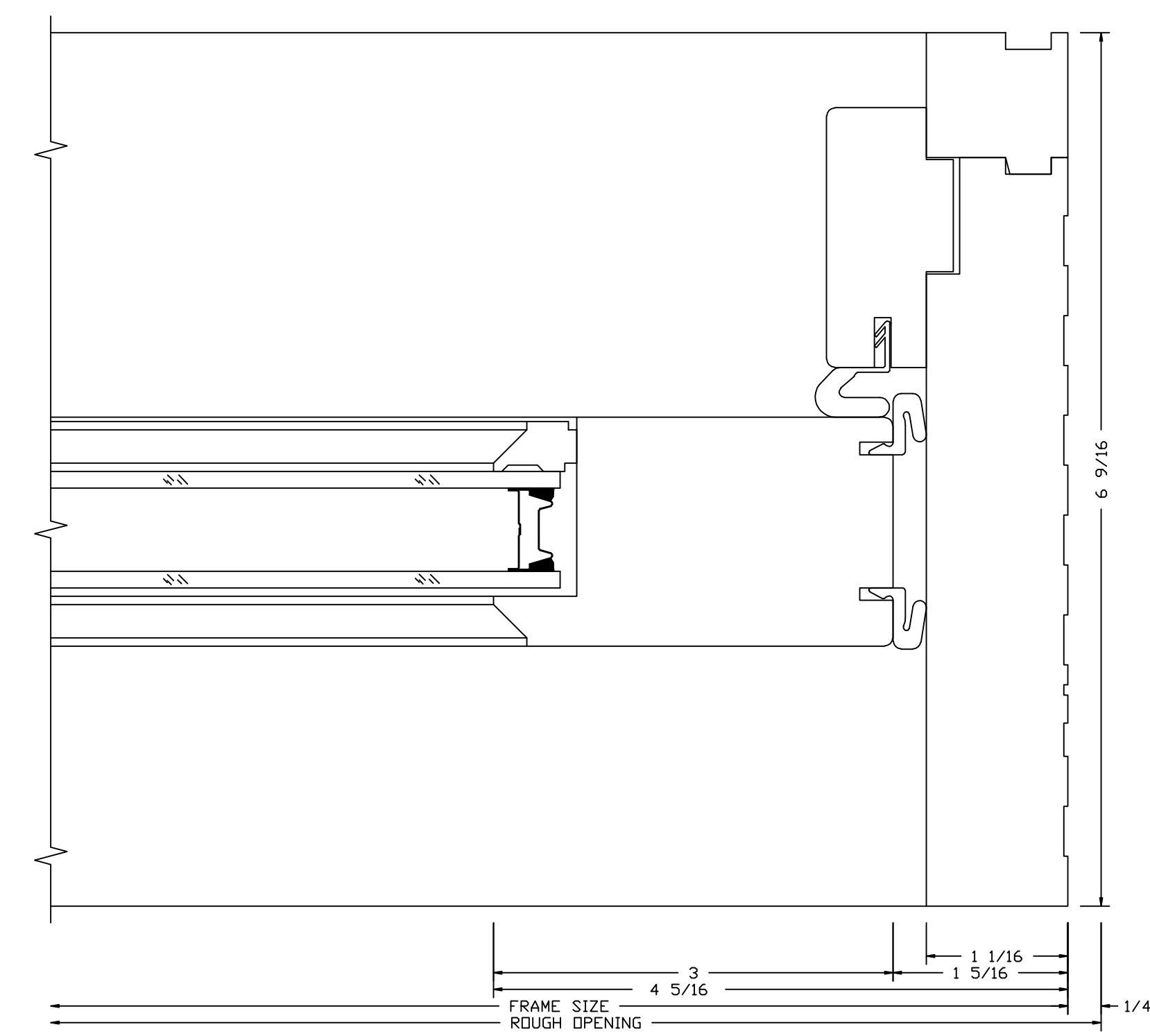
LL WOOD FOLDING DOOR MEETING STILE DETAIL
 7 6 9/16" JAMB - NO SCREEN - RECESSED SILL
 Scale: 1" = 1"



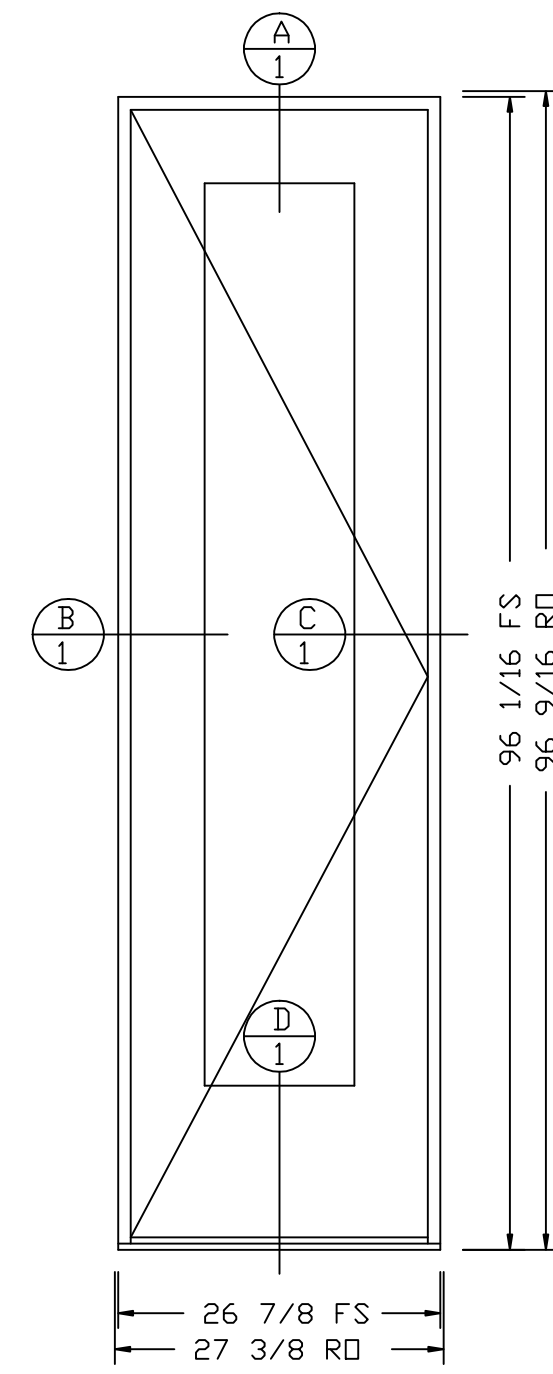
MM WOOD FOLDING DOOR SILL DETAIL
 7 6 9/16" JAMB - NO SCREEN - RECESSED SILL
 Scale: 1" = 1"



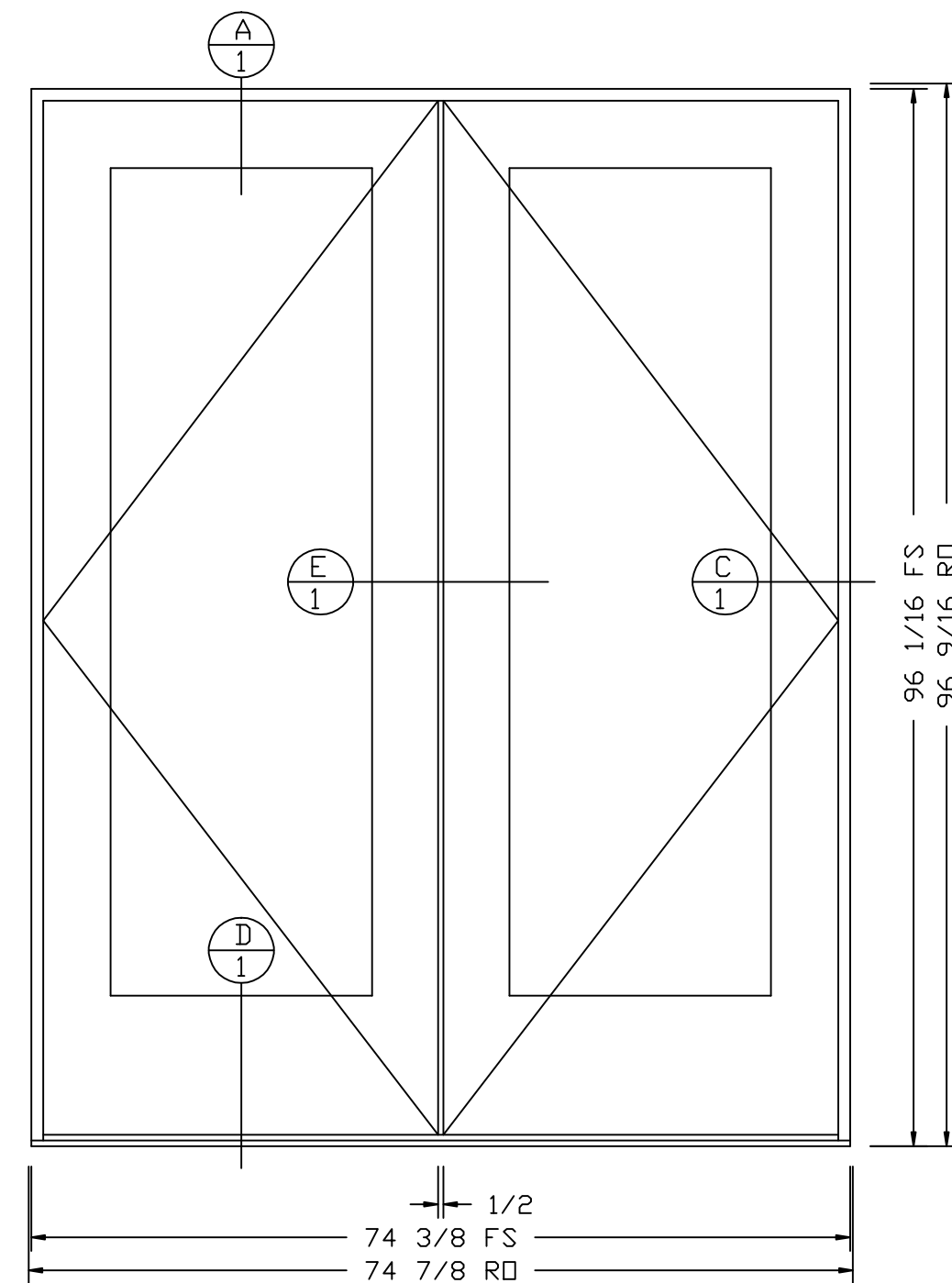
NN WOOD FOLDING DOOR ASTRAGAL DETAIL
 7 6 9/16" JAMB - NO SCREEN - RECESSED SILL
 Scale: 1" = 1"



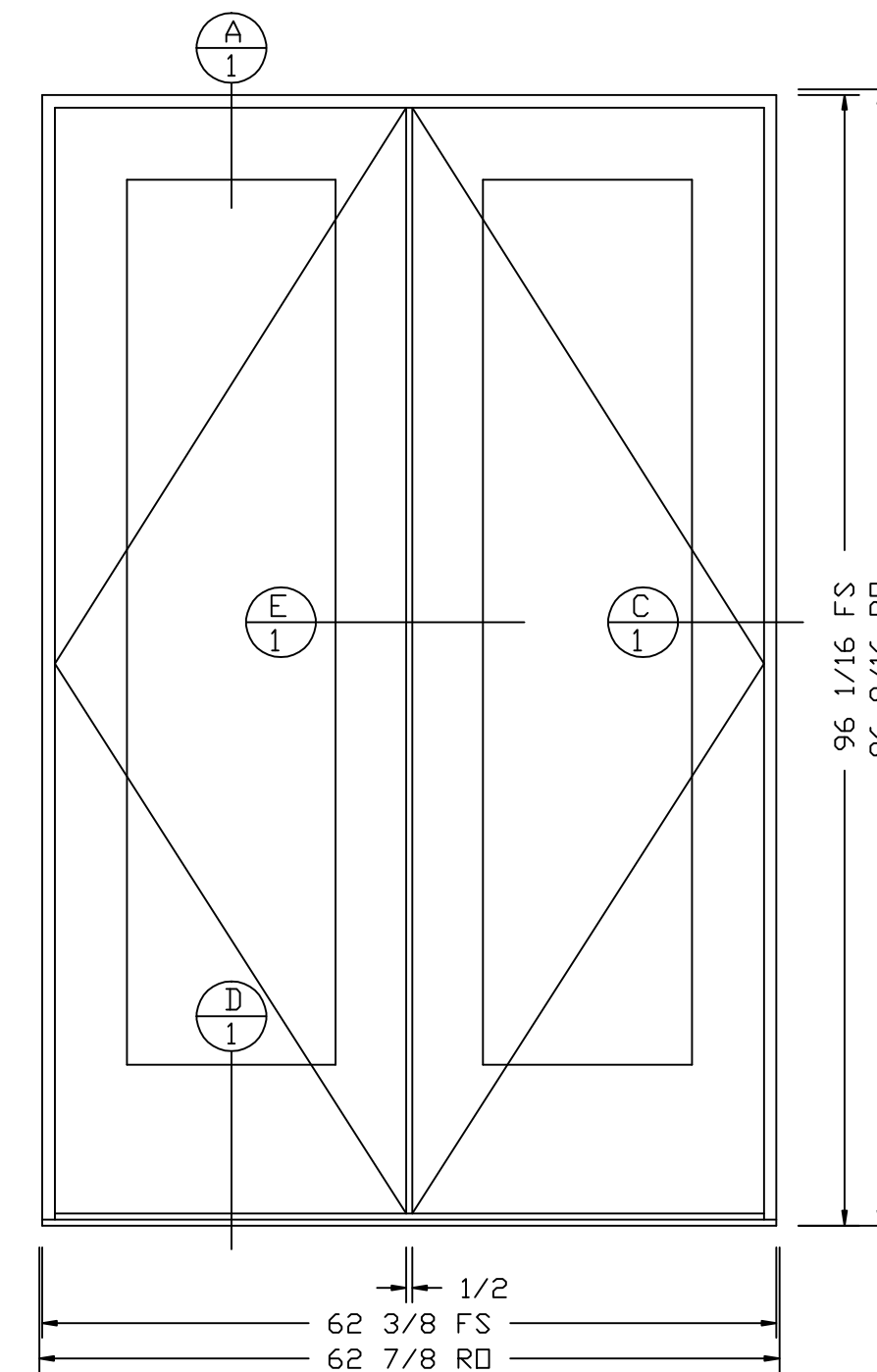
OO WOOD FOLDING DOOR JAMB DETAIL
 7 6 9/16" JAMB - NO SCREEN - RECESSED SILL
 Scale: 1" = 1"



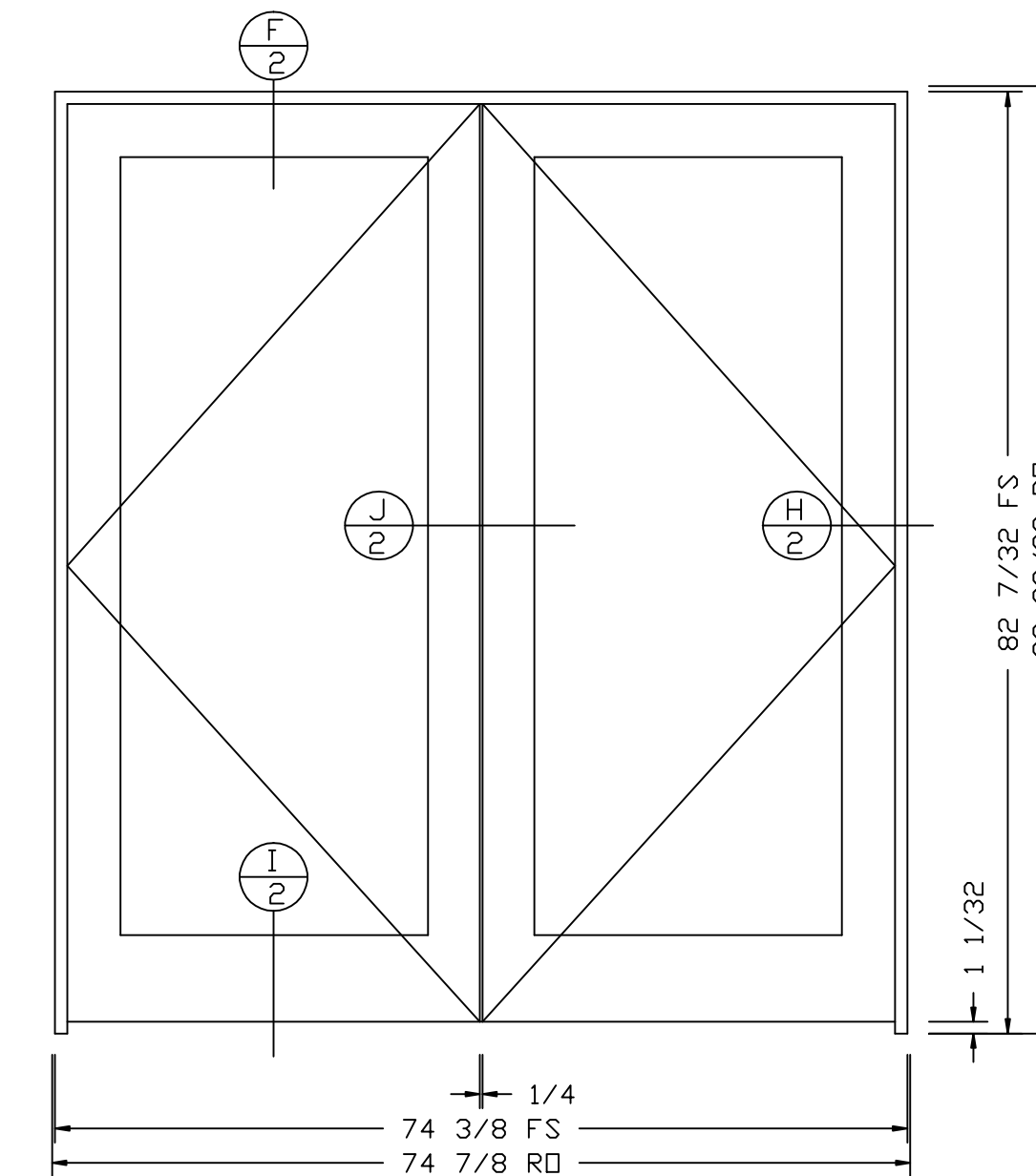
LABEL DOOR #1 (QTY 1)
SCALE: 3/4" = 1"
WOOD MANDOR (OUTSWING) DOOR UNIT (HR)
6" STILES & TOP RAIL, 12 5/8" BOTTOM RAIL
THERMAL HANDICAP SILL
NO CASING
4 9/16" JAMB



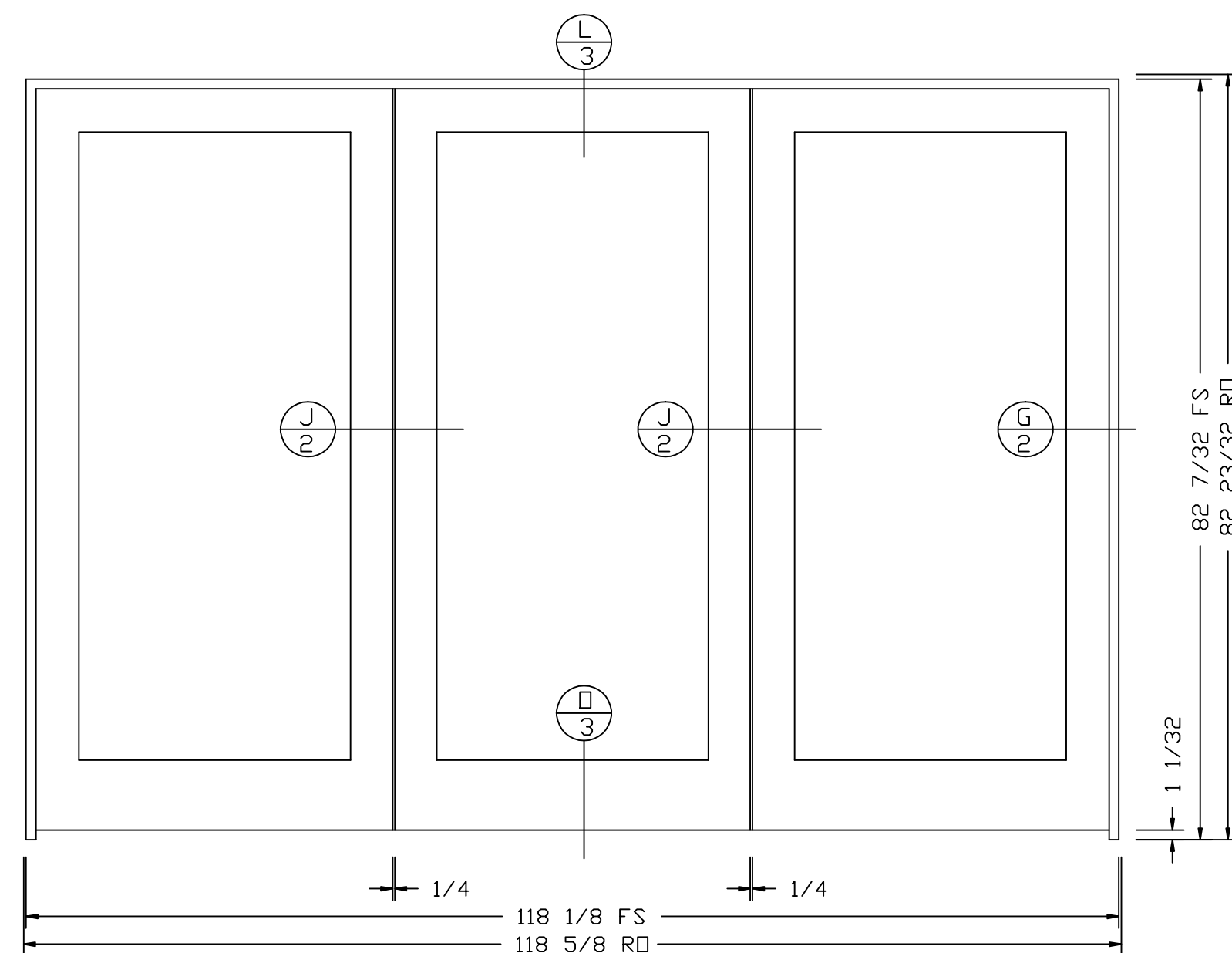
LABEL DOOR #2 (QTY 5)
SCALE: 3/4" = 1"
WOOD MANDOR (OUTSWING) DOUBLE DOOR UNIT (A-A)
6" STILES & TOP RAIL, 12 5/8" BOTTOM RAIL
NO ASTRAGAL - ADJUSTABLE PILE CENTER CLOSURE
THERMAL HANDICAP SILL
NO CASING
4 9/16" JAMB



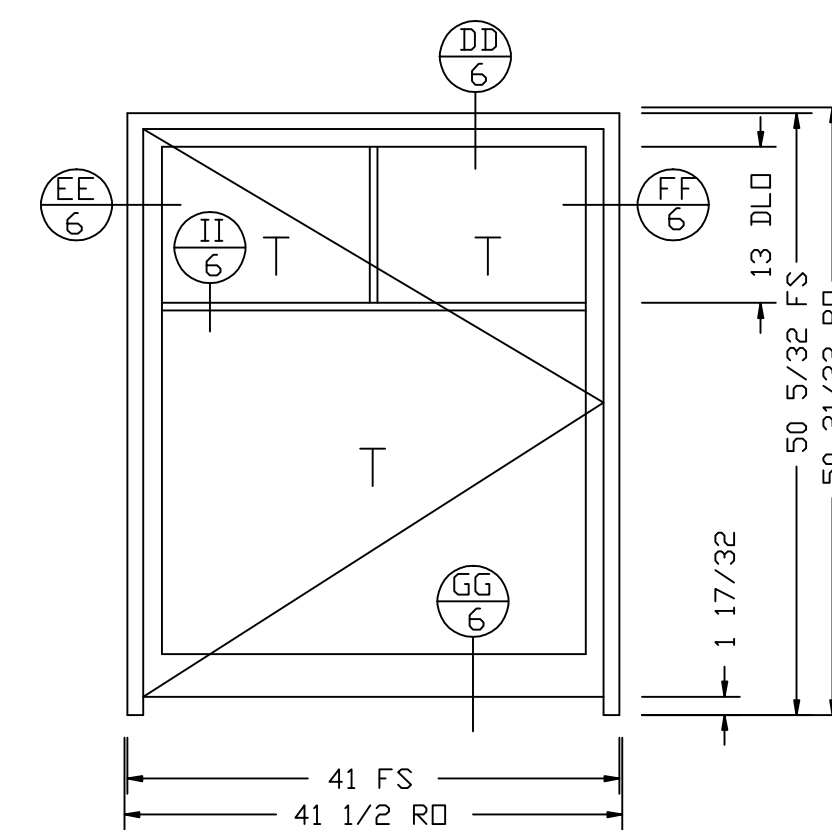
LABEL DOOR #3 (QTY 1)
SCALE: 3/4" = 1"
WOOD MANDOR (OUTSWING) DOUBLE DOOR UNIT (A-A)
6" STILES & TOP RAIL, 12 5/8" BOTTOM RAIL
NO ASTRAGAL - ADJUSTABLE PILE CENTER CLOSURE
THERMAL HANDICAP SILL
NO CASING
4 9/16" JAMB



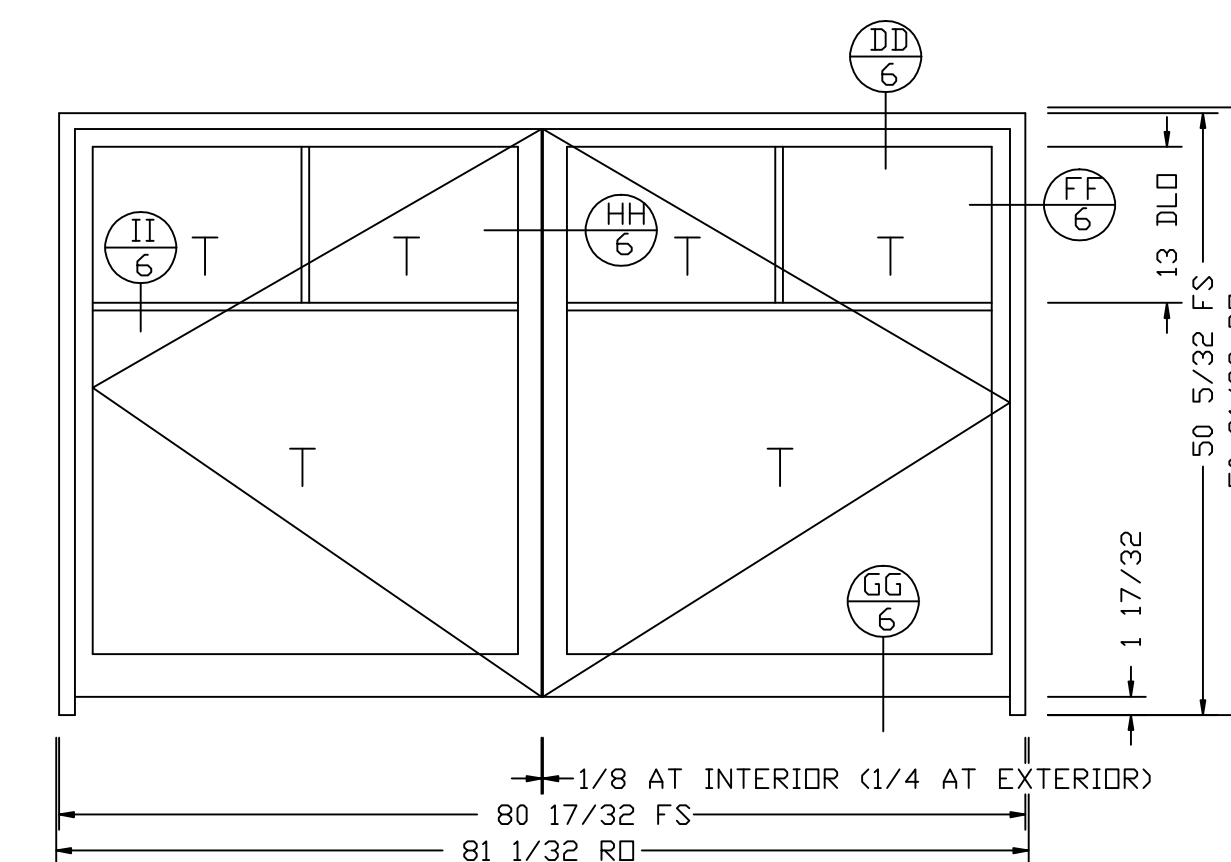
LABEL WINDOW #1 (QTY 4)
SCALE: 3/4" = 1"
WOOD MANDOR (OUTSWING) DOUBLE DOOR UNIT (A-A)
4 17/32" STILES & TOP RAIL, 7 9/16" BOTTOM RAIL
NO ASTRAGAL - NO CENTER CLOSURE - CUSTOM GAP
NO SILL (FS TO BE 6-8 UNIT WITH THERMAL HANDICAP SILL)
NO CASING
4 9/16" JAMB
NO WEATHERSTRIP - WITH WOOD KERF FILLER
SINGLE GLAZED GLASS



LABEL WINDOW #2 (QTY 1)
SCALE: 3/4" = 1"
WOOD MANDOR (OUTSWING) TRIPLE DOOR UNIT (S-S-S)
4 17/32" STILES & TOP RAIL, 7 9/16" BOTTOM RAIL
3 SASH IN ONE FRAME - NO ASTRAGALS - CUSTOM GAP
NO SILL (FS TO BE 6-8 UNIT WITH THERMAL HANDICAP SILL)
NO CASING
4 9/16" JAMB
NO WEATHERSTRIP - WITH WOOD KERF FILLER
SINGLE GLAZED GLASS



LABEL WINDOW #3 (QTY 1)
SCALE: 3/4" = 1"
WOOD INSWING CASEMENT UNIT (HR)
NO SILL - NO EXTERIOR SILL DRIP - CUSTOM PROFILE BOTTOM RAIL
NO WEATHERSTRIP - WITH KERF FILLER AT SIDES/HEAD
NO HARDWARE - NO SCREEN
NO CASING - NO SILL NOSING
4 9/16" JAMB
5/8" PDL BAR - WOOD BAR ON EXTERIOR AND INTERIOR
SINGLE GLAZED GLASS - TEMPERED



LABEL WINDOW #4 (QTY 4)
SCALE: 3/4" = 1"
WOOD FRENCH INSWING CASEMENT UNIT (R-L)
NO SILL - NO EXTERIOR SILL DRIP - CUSTOM PROFILE BOTTOM RAIL
NO WEATHERSTRIP - WITH WOOD KERF FILLER AT SIDES & HEAD
NO ASTRAGAL (CUSTOM GAP) - NO HARDWARE - NO SCREEN
NO CASING - NO SILL NOSING
4 9/16" JAMB
5/8" PDL BAR - WOOD BAR ON EXTERIOR AND INTERIOR
SINGLE GLAZED GLASS - TEMPERED

CAFE DELUXE

DISTRIBUTOR
SHENANDOAH SASH & DOOR
PURCELLVILLE, VA

SCALE:
AS SHOWN

DRAWN BY: **CMK**
DATE: 7/15/11
CHECKED BY:

REVISION DATE BY DESCRIPTION
7/21/11 DG REVISED HARDWARE SPECIFIED IN L&S
8/17/11 CMK REVISED ASTRAGALS, CHANGED PAPER
CRED TO 4 9/16, VARIOUS SIZE CHGS

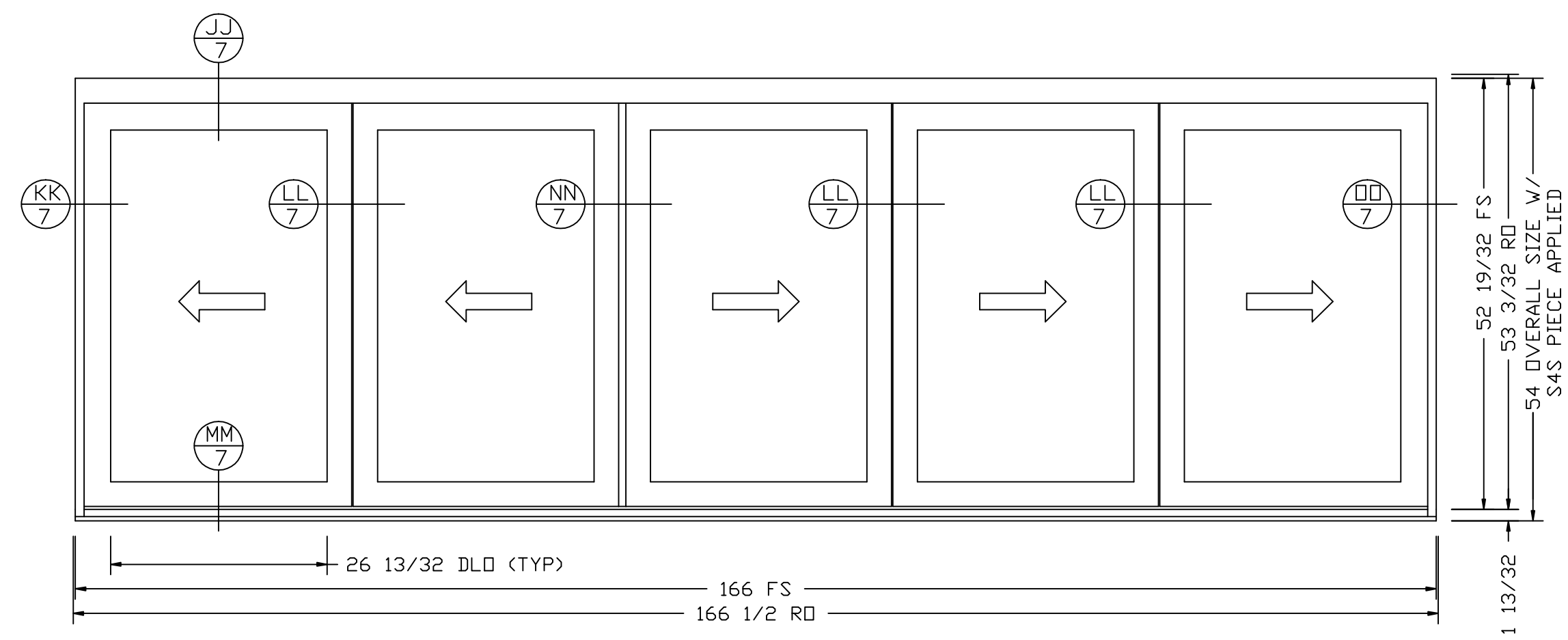
FINAL DRAFT DATE

KOLBE & KOLBE MILLWORK CO., INC.
1323 SOUTH ELEVENTH AVE. WAUSAU, WI. 54401

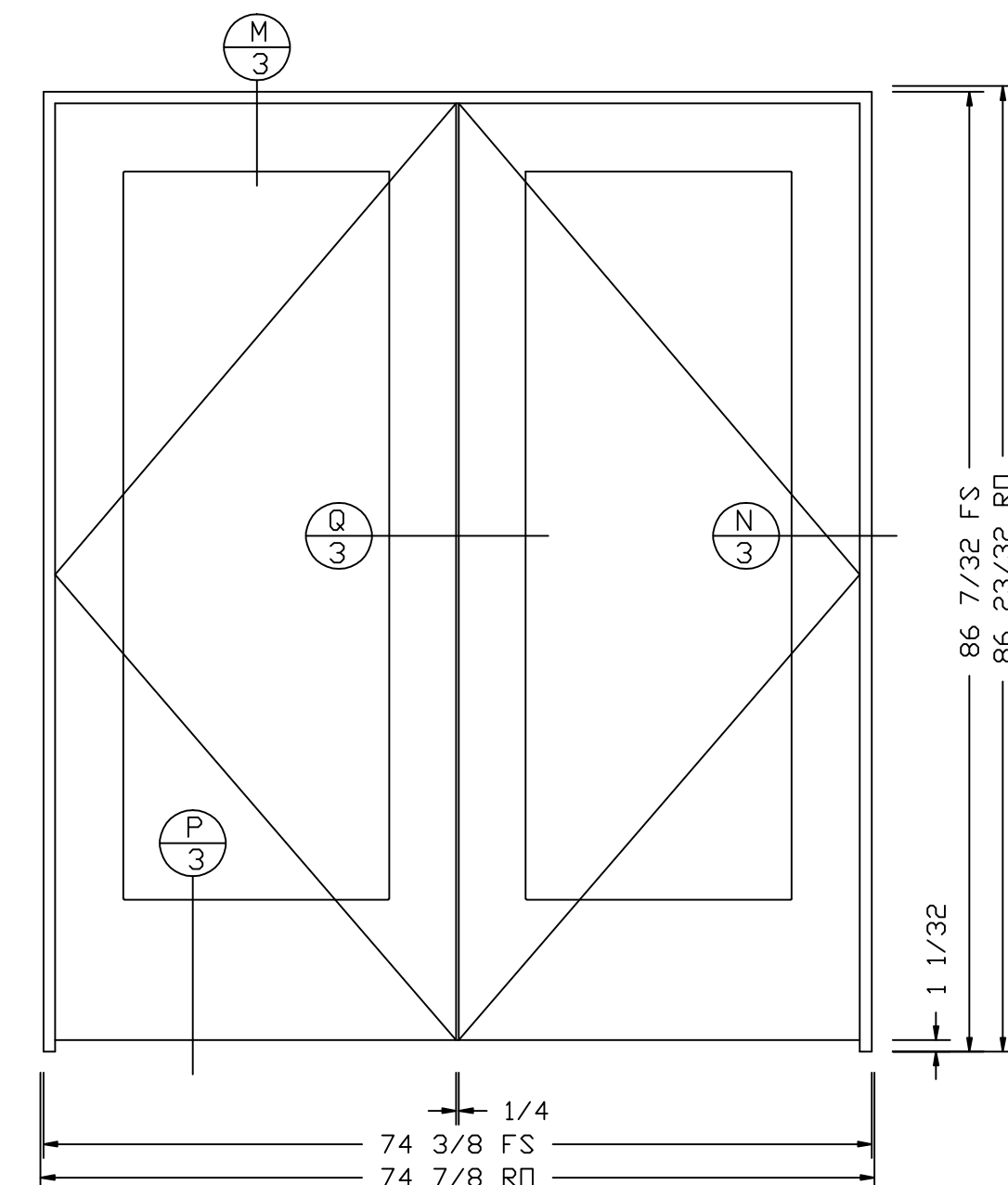
SPECIAL MILLWORK SERVICES

DRAWING NO.
S7881H-R2

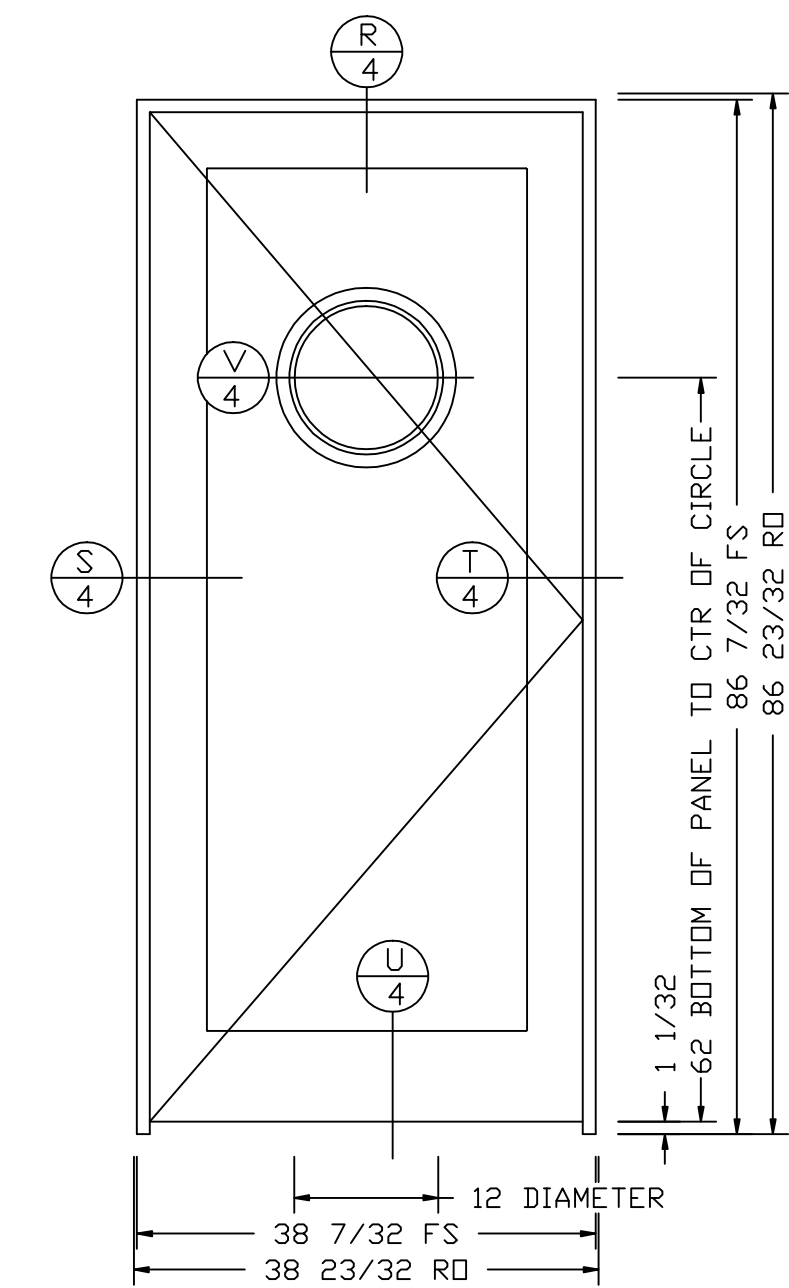
PAGE:
00



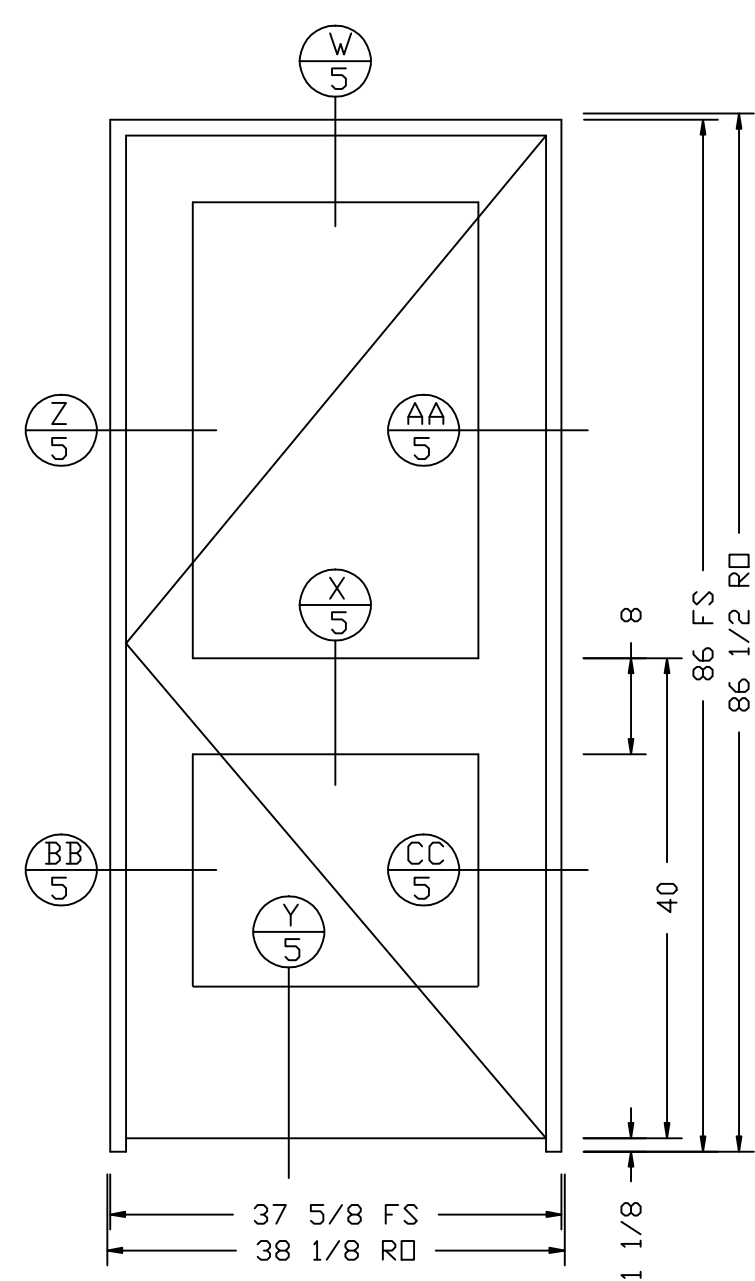
LABEL WINDOW #5 (QTY 1)
 SCALE: 3/4" = 1"
 WOOD FOLDING DOOR SYSTEM (LLRRR)
 RECESSED SILL - WITH S4S PIECE APPLIED BELOW SILL (PER DWG)
 3" STILES AND RAILS
 NO SCREEN
 NO CASING
 6 9/16" JAMB



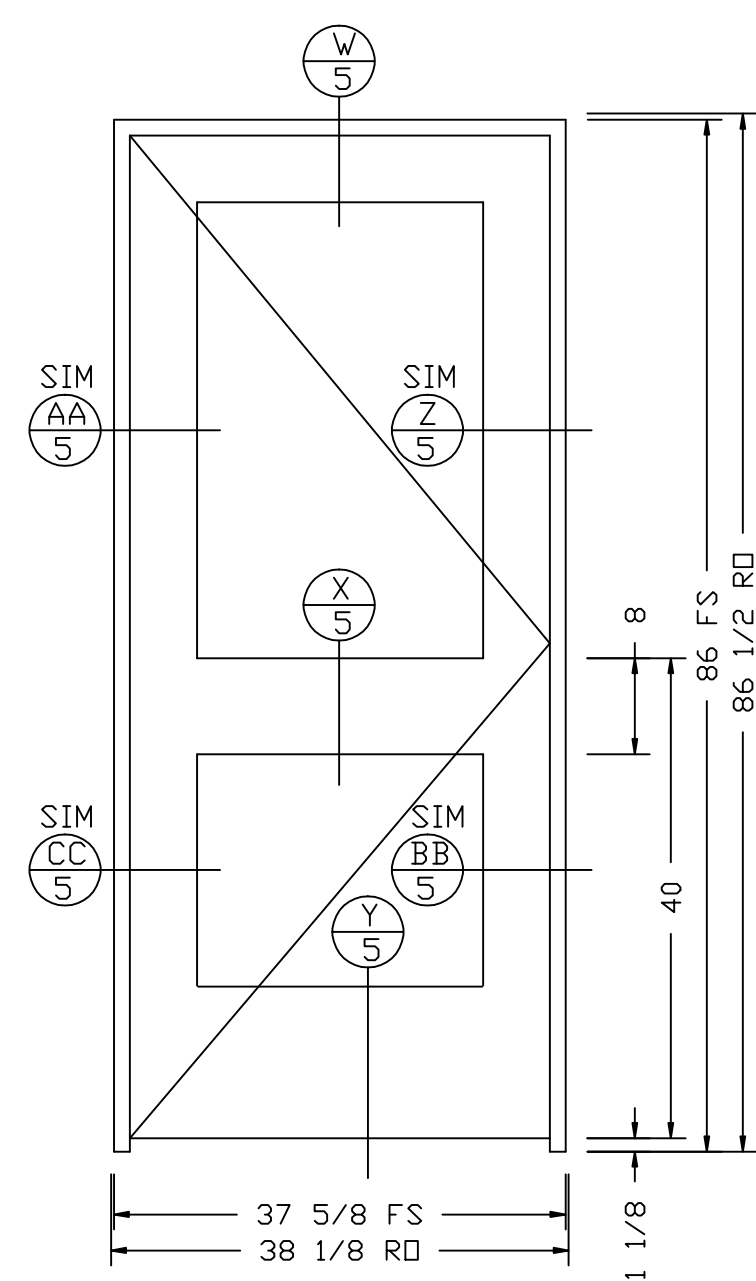
LABEL DOOR #4 (DINING RM DOORS) (QTY 2)
 SCALE: 3/4" = 1"
 WOOD MANOR (OUTSWING) DOUBLE DOOR UNIT (A-A)
 6" STILES & TOP RAIL, 12 5/8" BOTTOM RAIL
 NO ASTRAGAL - NO CENTER CLOSURE - CUSTOM GAP
 NO SILL (FS TO BE 7-0 UNIT WITH THERMAL HANDICAP SILL)
 NO CASING
 4 9/16" JAMB
 NO WEATHERSTRIP - WITH WOOD KERF FILLER
 SINGLE GLAZED GLASS



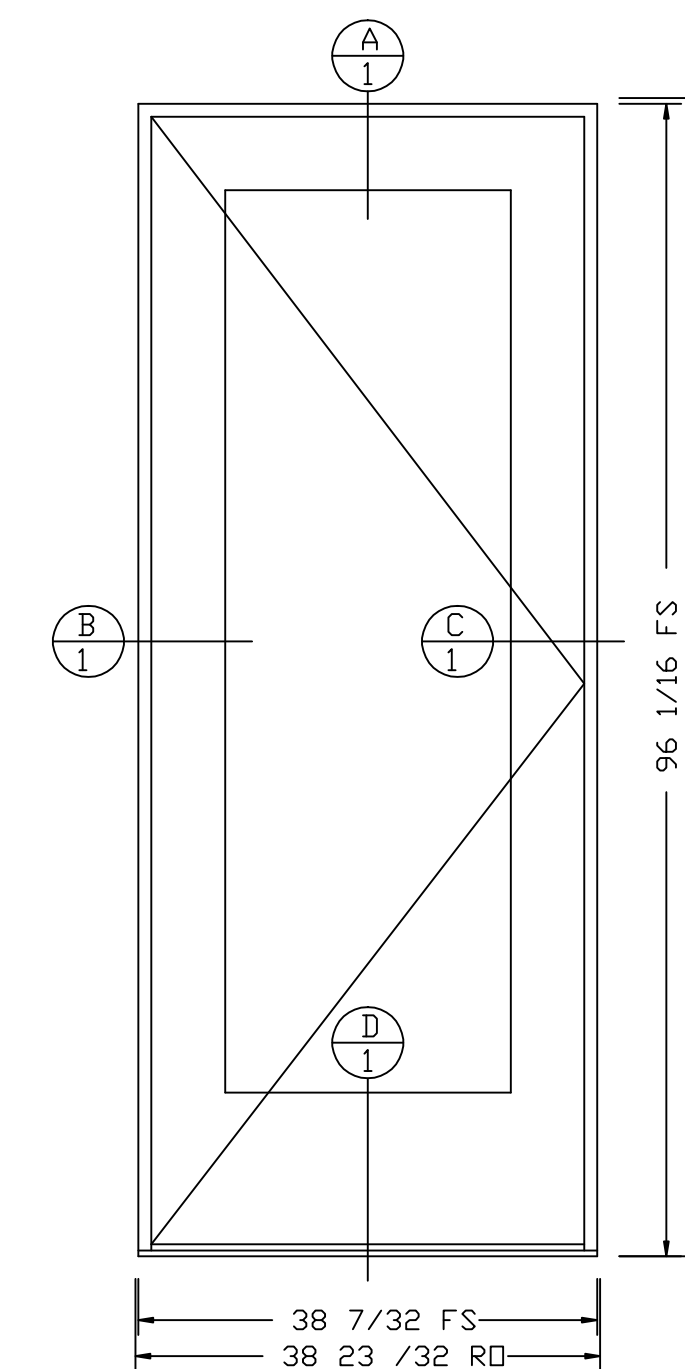
LABEL DOOR #5 (KITCHEN) (QTY 1)
 SCALE: 3/4" = 1"
 WOOD MANOR (OUTSWING) DOOR UNIT (HR)
 4 17/32" STILES & TOP RAIL, 7 9/16" BOTTOM RAIL
 FLAT PANEL WITH 12" DLO CUTOFF FOR SINGLE GLAZED GLASS
 NO SILL (FS TO BE 7-0 UNIT WITH THERMAL HANDICAP SILL)
 NO CASING
 4 9/16" JAMB
 NO WEATHERSTRIP - WITH WOOD KERF FILLER
 SINGLE GLAZED GLASS



LABEL DOOR #6 (REST ROOMS) (QTY 1)
 SCALE: 3/4" = 1"
 WOOD TRADITIONAL (INSWING) DOOR UNIT (HR)
 6" STILES & TOP RAIL, 12 5/8" BOTTOM RAIL
 GLASS OVER FLAT PANEL
 NO SILL (FS TO BE 7-0 UNIT WITH THERMAL HANDICAP SILL)
 NO CASING
 4 9/16" JAMB
 NO WEATHERSTRIP - WITH WOOD KERF FILLER
 SINGLE GLAZED FLUTEX GLASS



LABEL DOOR #6 (REST ROOMS) (QTY 1)
 SCALE: 3/4" = 1"
 WOOD TRADITIONAL (INSWING) DOOR UNIT (HL)
 6" STILES & TOP RAIL, 12 5/8" BOTTOM RAIL
 GLASS OVER FLAT PANEL
 NO SILL (FS TO BE 7-0 UNIT WITH THERMAL HANDICAP SILL)
 NO CASING
 4 9/16" JAMB
 NO WEATHERSTRIP - WITH WOOD KERF FILLER
 SINGLE GLAZED FLUTEX GLASS



LABEL E1 (QTY 2)
 SCALE: 3/4" = 1"
 WOOD MANOR (OUTSWING) DOOR UNIT (HR)
 6" STILES & TOP RAIL, 12 5/8" BOTTOM RAIL
 THERMAL HANDICAP SILL
 NO CASING
 4 9/16" JAMB