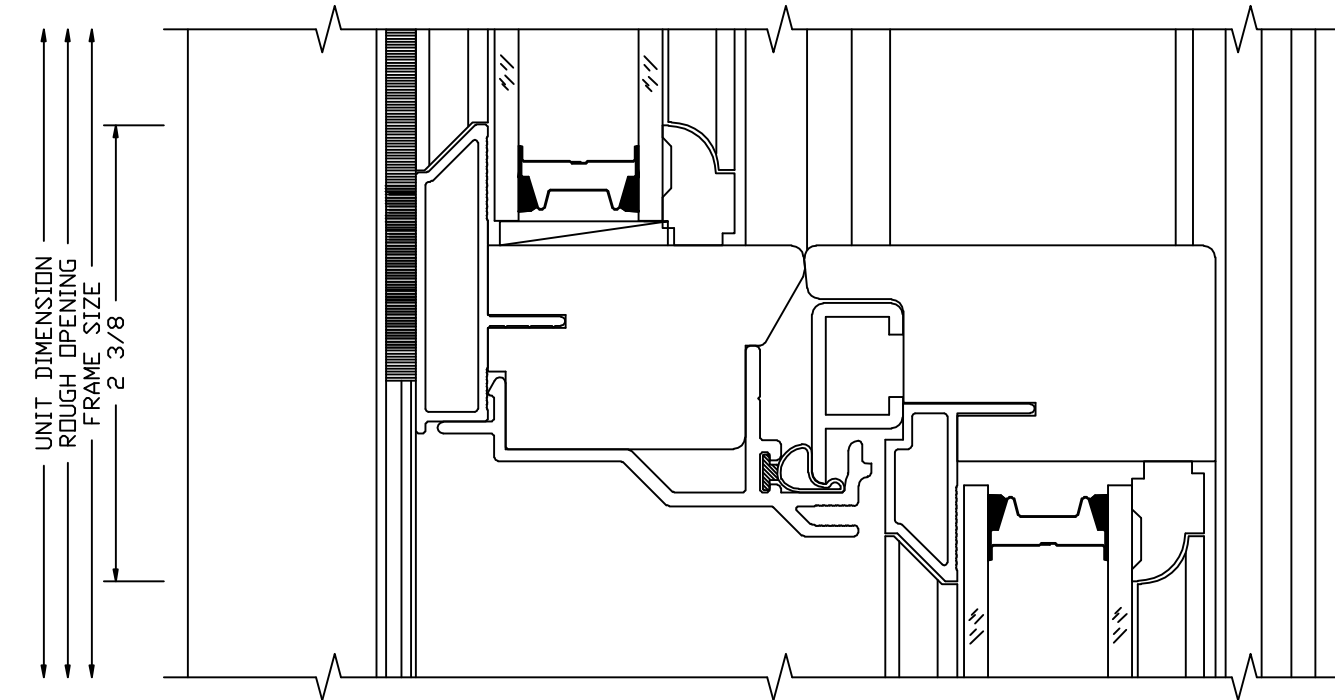
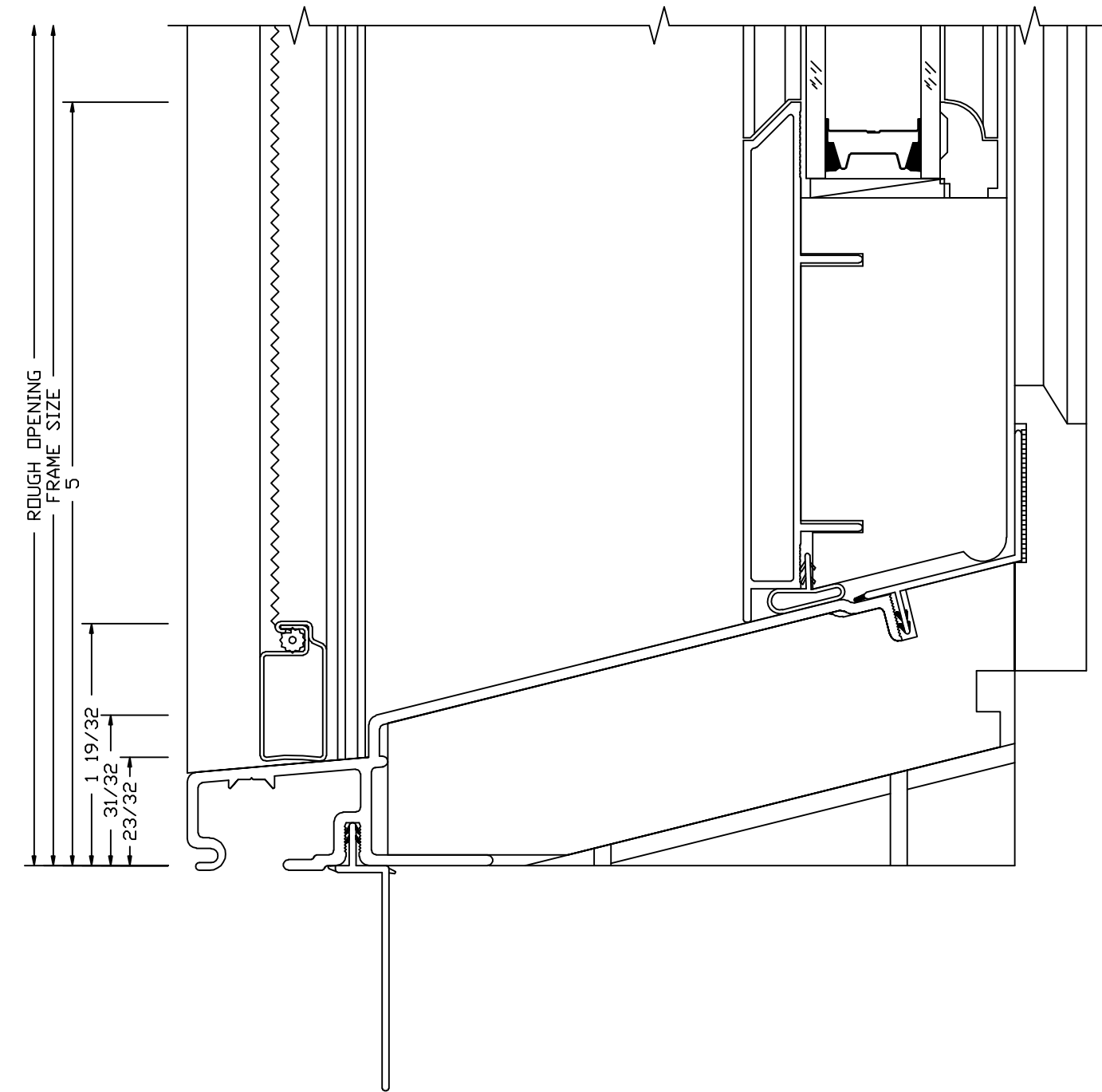


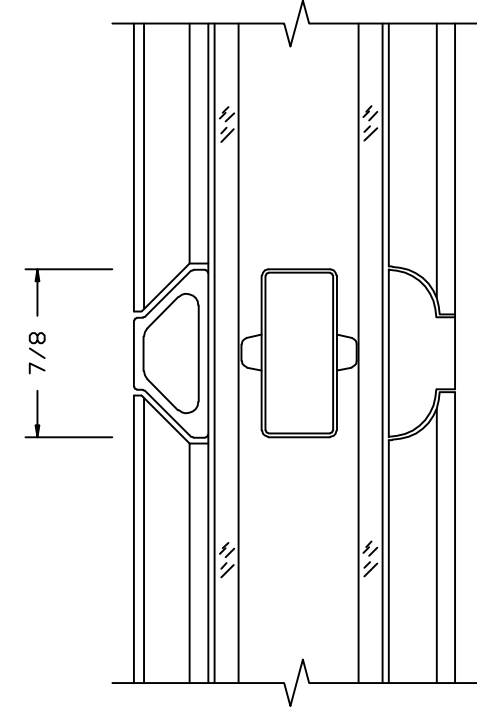
A
1 ULTRA CLAD STERLING SINGLE HUNG HEAD DETAIL
Scale: 1" = 1"



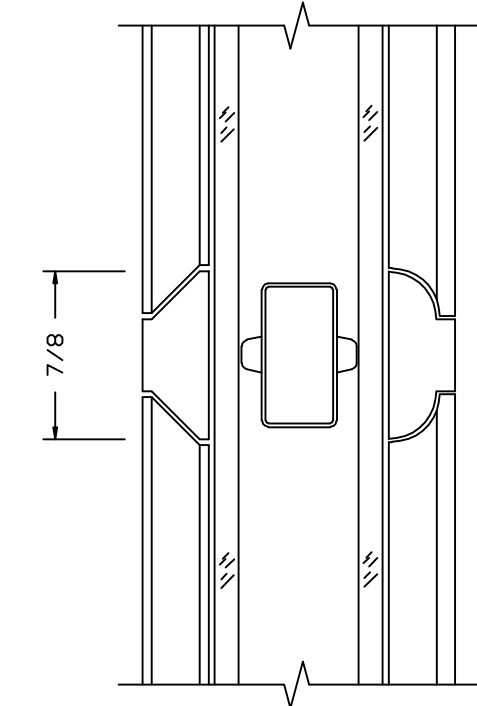
B
1 ULTRA CLAD STERLING SINGLE HUNG CHECKRAIL DETAIL
Scale: 1" = 1"



C
1 ULTRA CLAD STERLING SINGLE HUNG SILL DETAIL
Scale: 1" = 1"

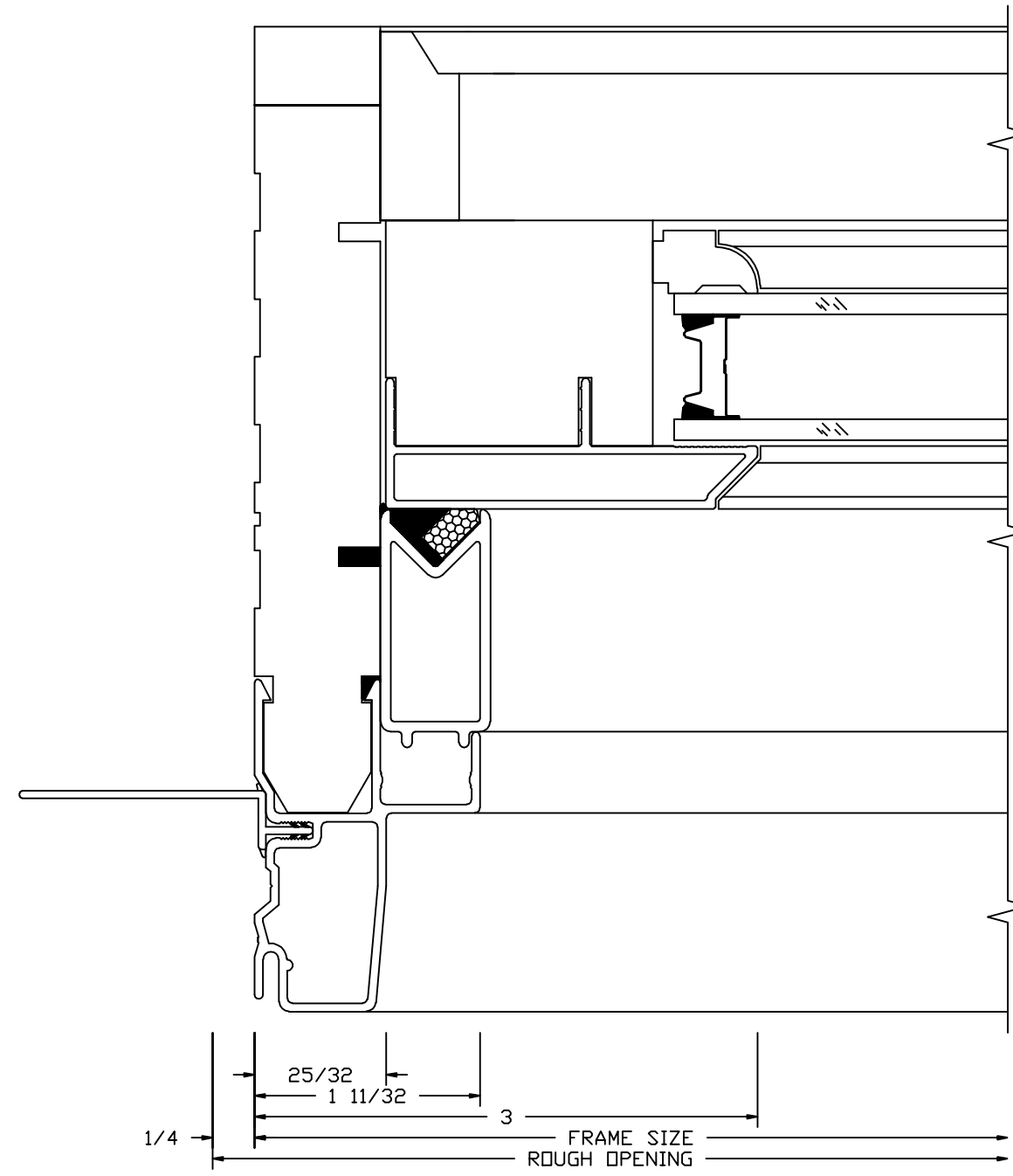


D1
1 7/8" PDL BAR DETAIL
Scale: 1" = 1"

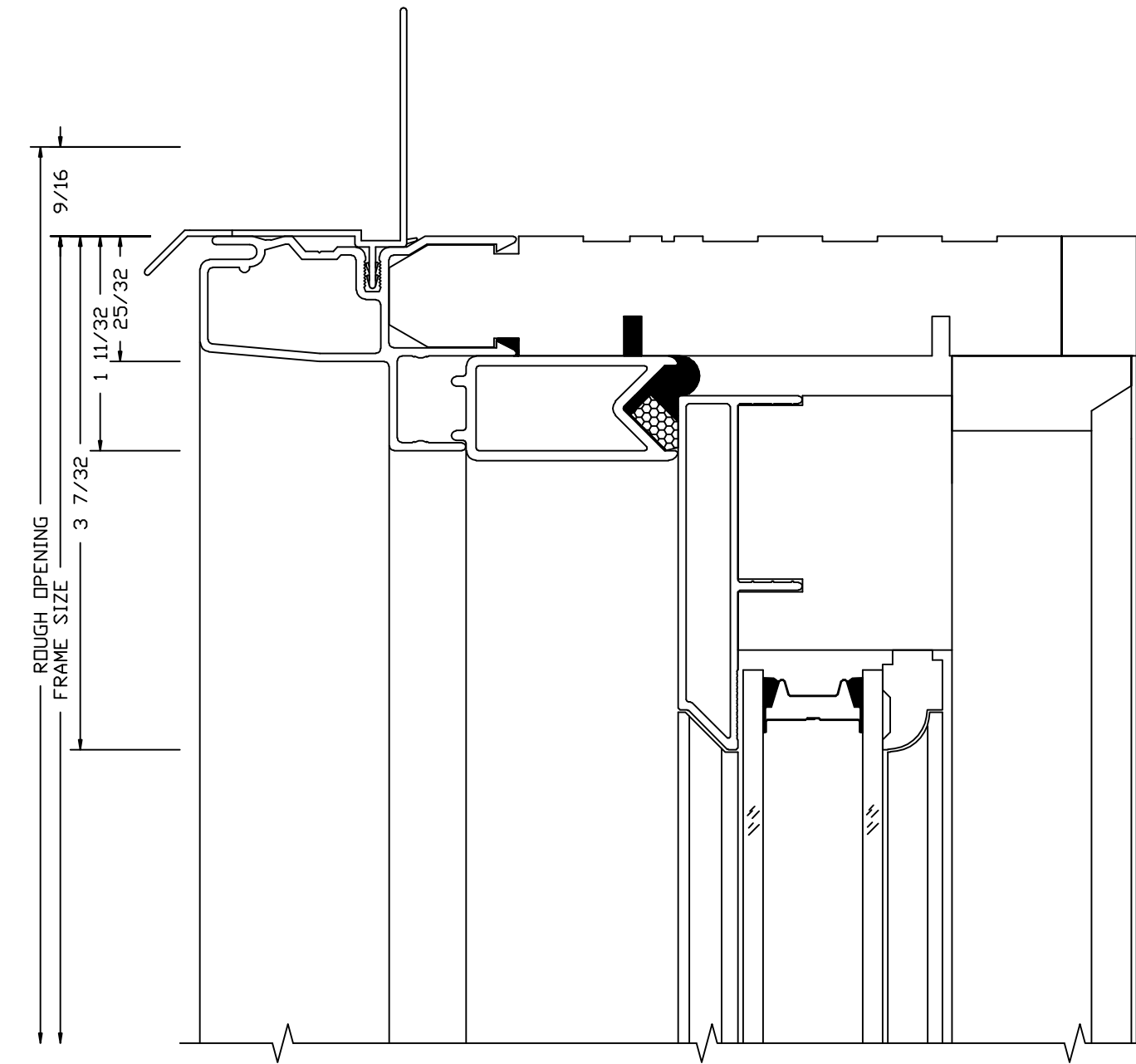


D2
1 7/8" PVC (EXTERIOR) BAR DETAIL
Scale: 1" = 1"

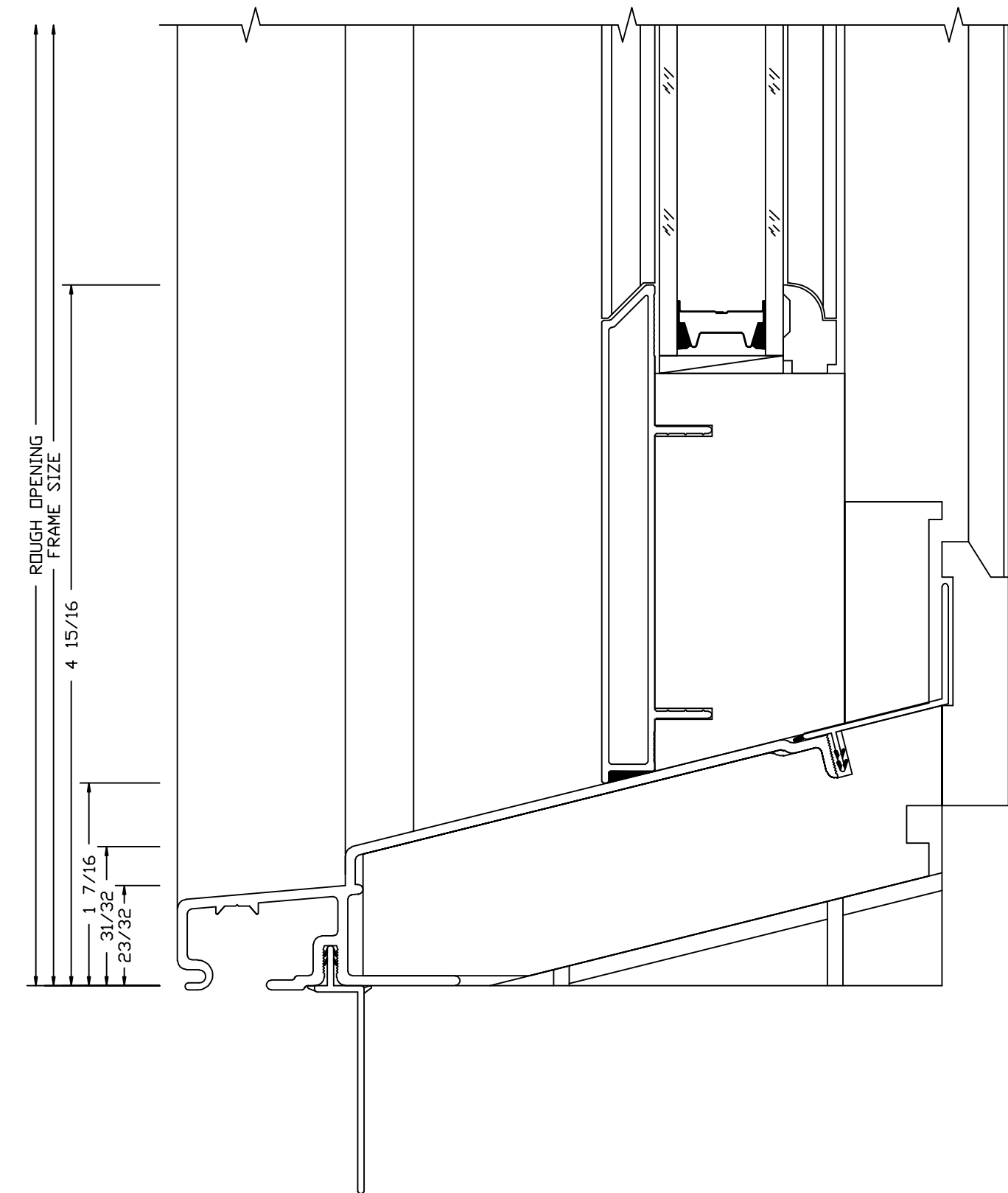
NOTE: SECTION LABELED "SIM" WILL NOT HAVE THE SPACER BAR BETWEEN THE GLASS



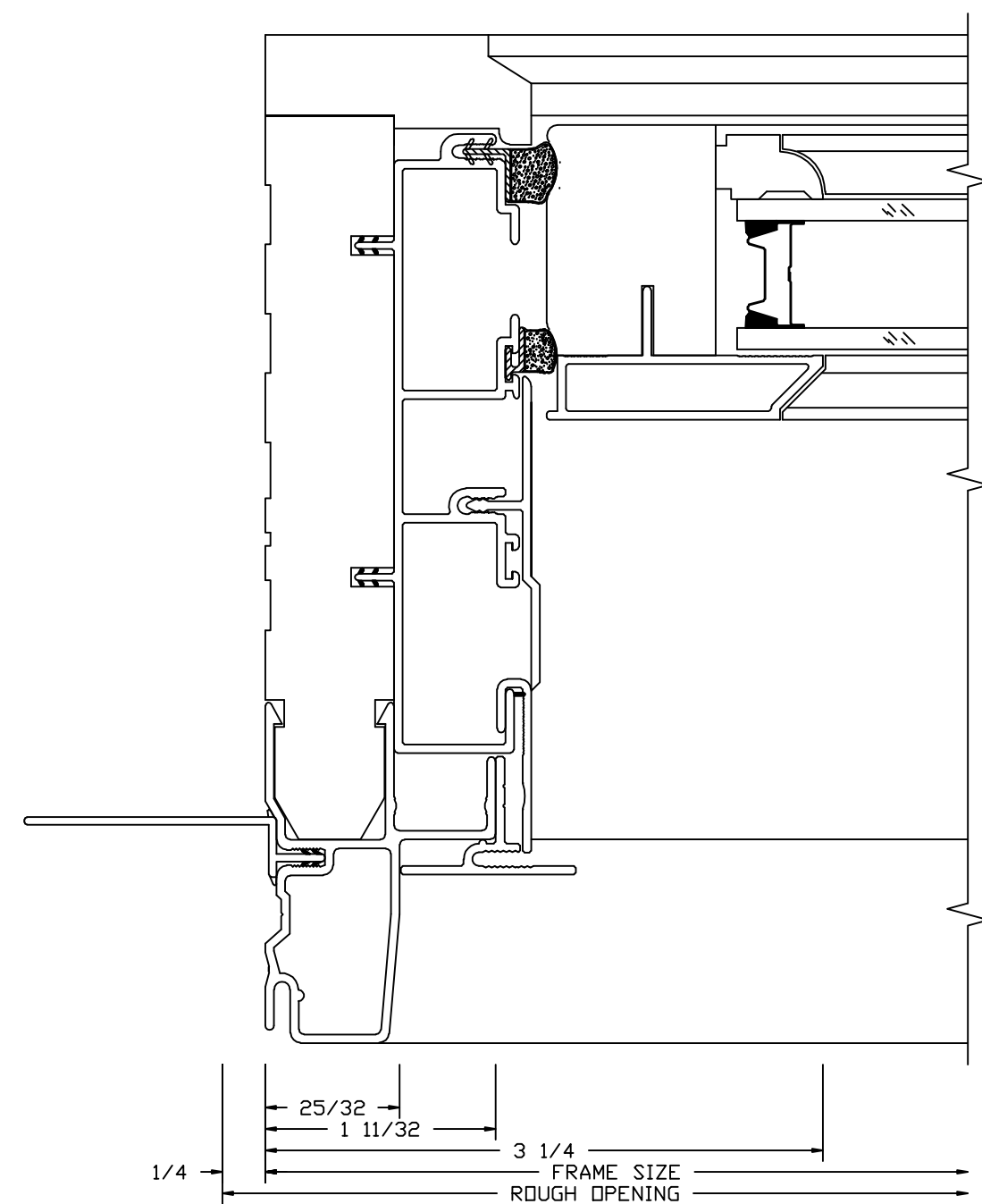
F
1 ULTRA CLAD STERLING STUDIO JAMB DETAIL
Scale: 1" = 1"



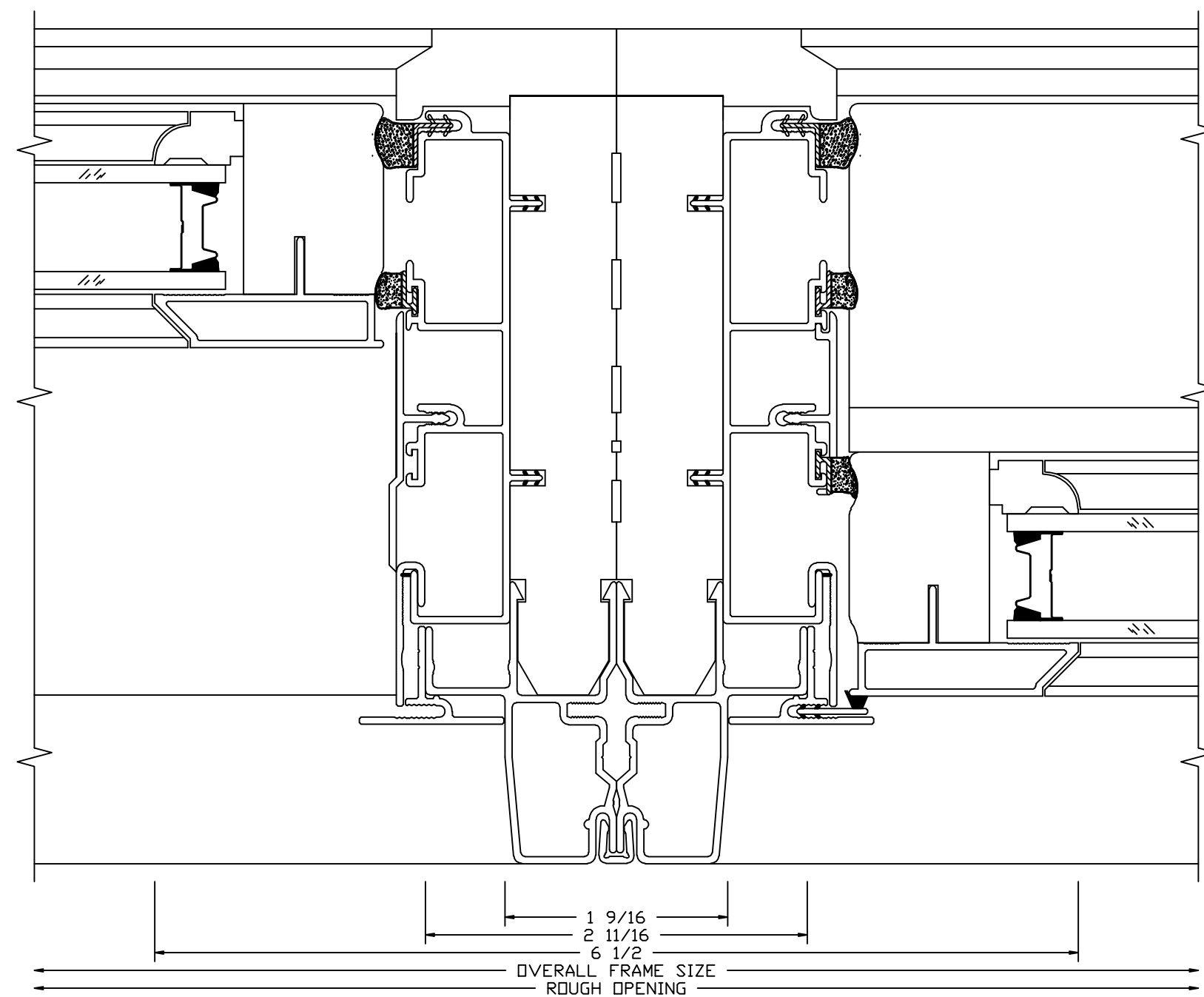
E
1 ULTRA CLAD STERLING STUDIO HEAD DETAIL
Scale: 1" = 1"



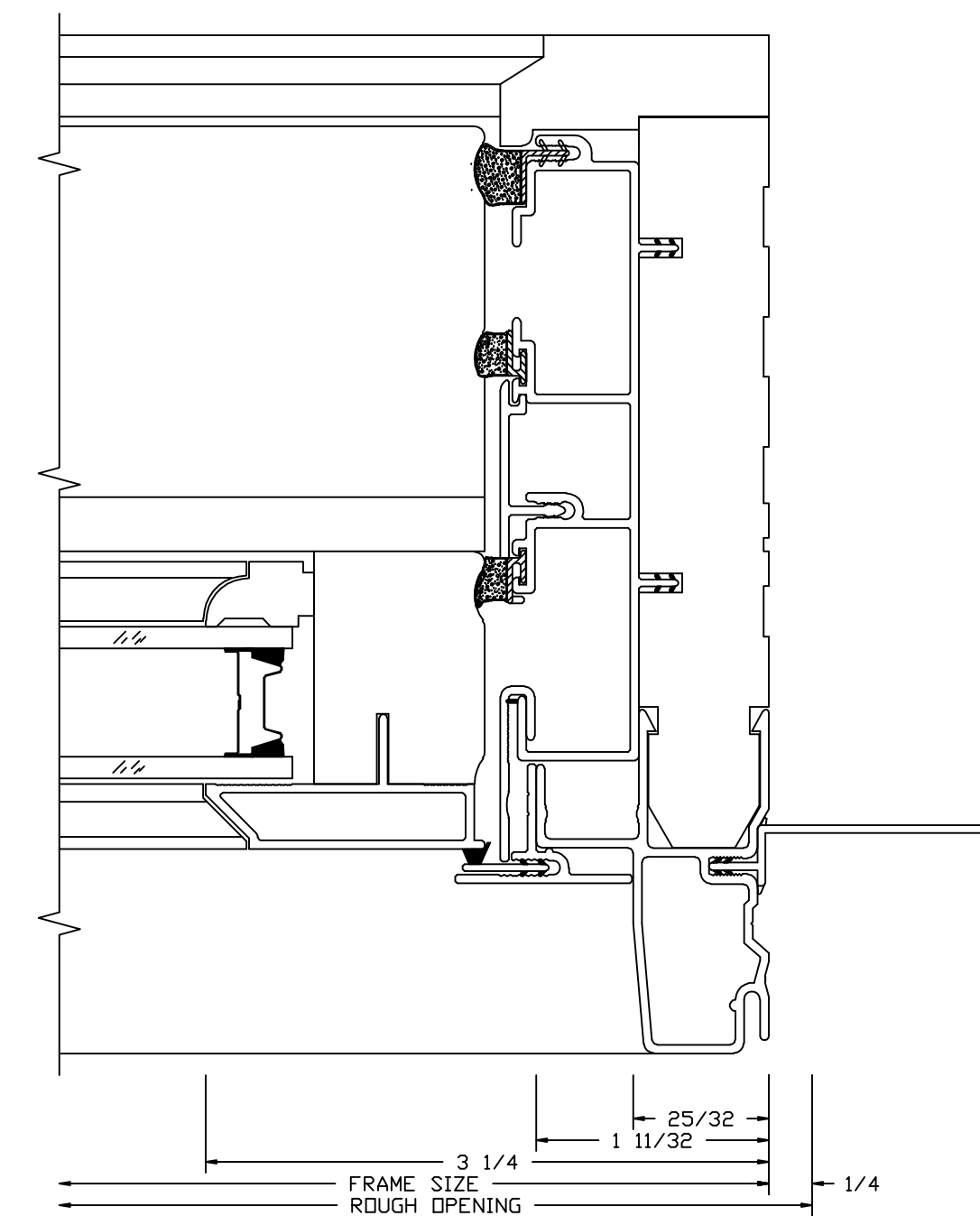
G
1 ULTRA CLAD STERLING STUDIO SILL DETAIL
Scale: 1" = 1"



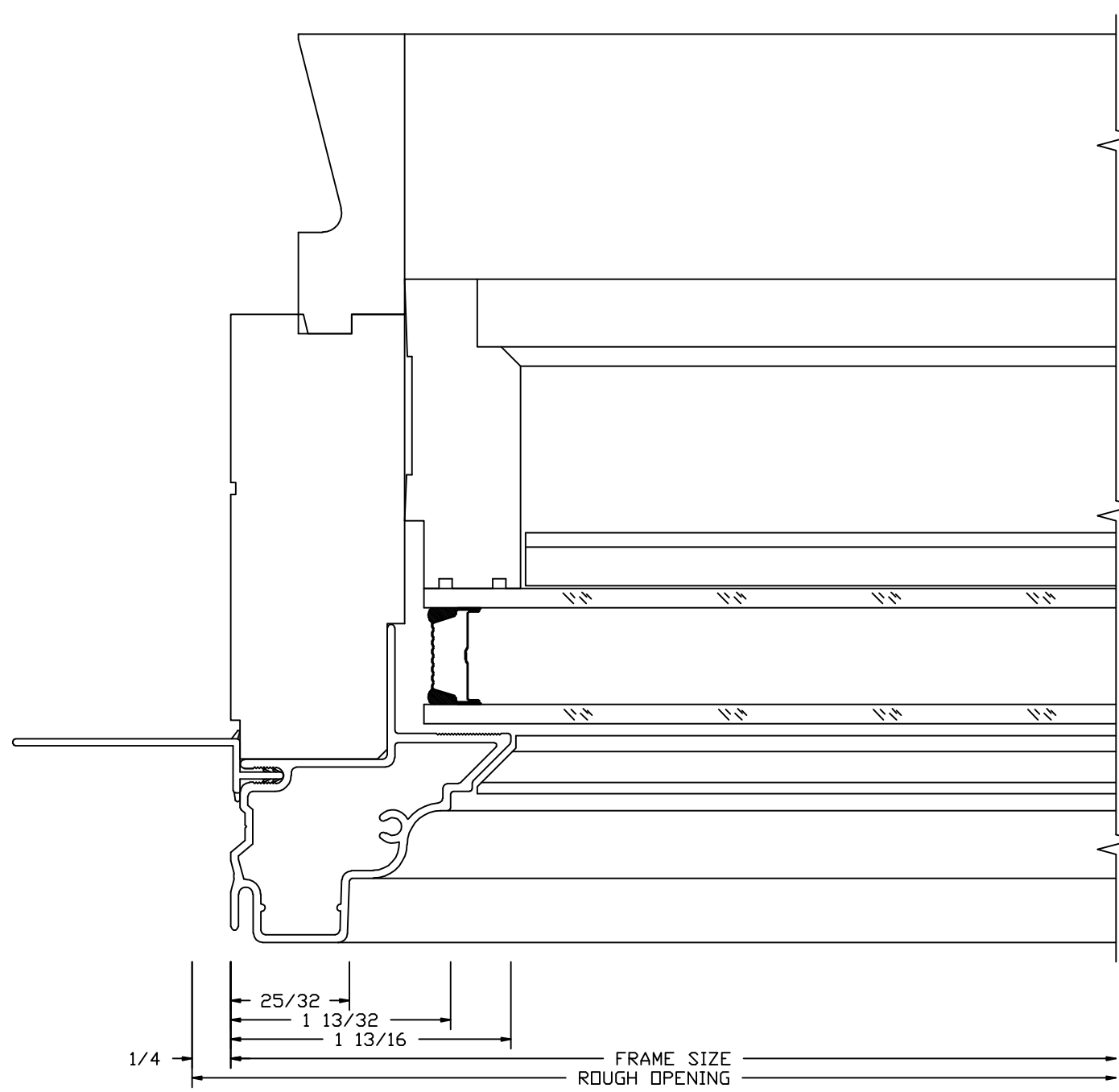
H ULTRA CLAD STERLING SINGLE HUNG JAMB DETAIL
2 THRU BOTTOM SASH Scale: 1" = 1"



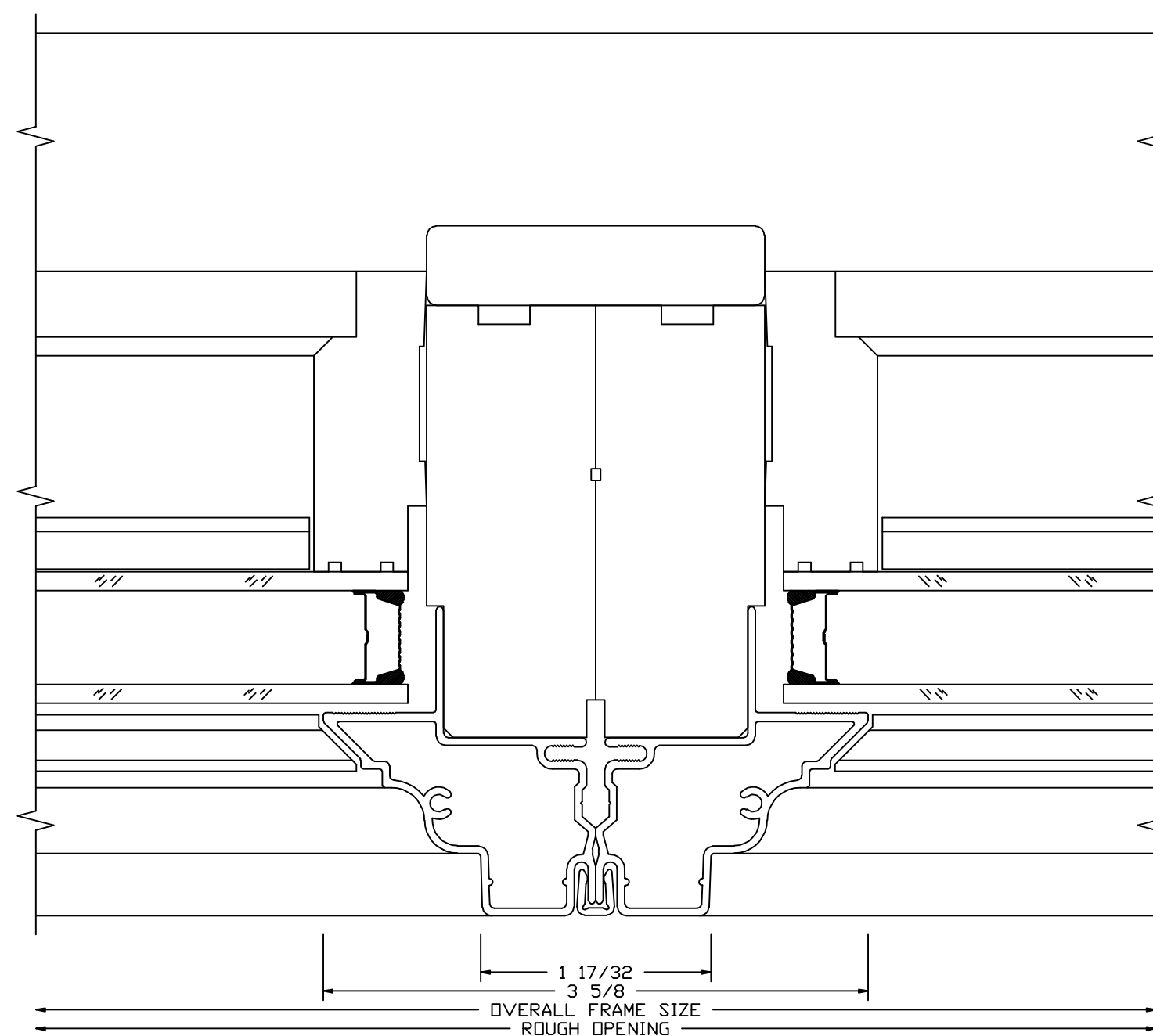
I ULTRA CLAD STERLING SINGLE HUNG VERTICAL MULL DETAIL
2 THRU BOTTOM AND TOP SASH Scale: 1" = 1"



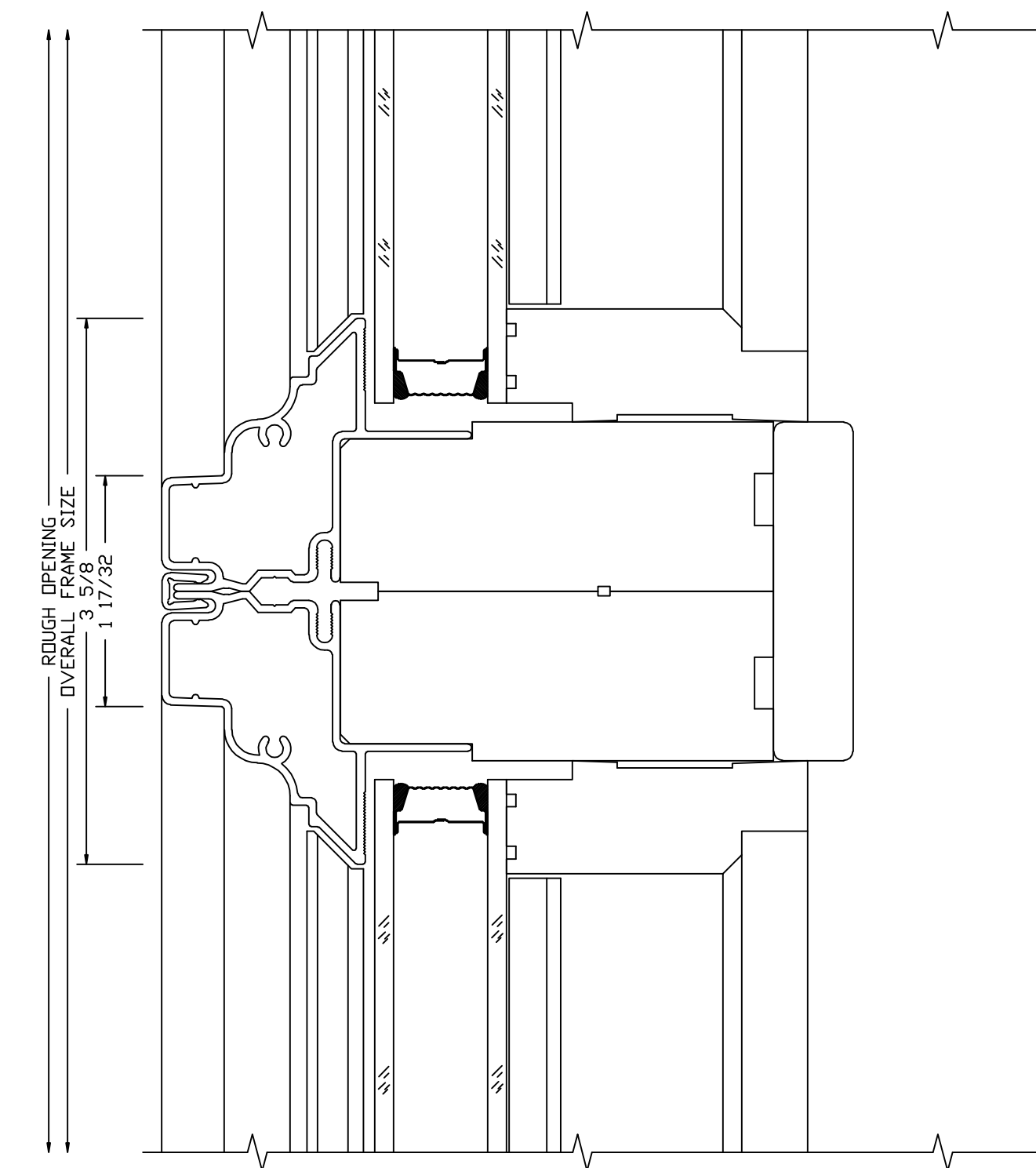
J ULTRA CLAD STERLING SINGLE HUNG JAMB DETAIL
2 THRU TOP SASH Scale: 1" = 1"



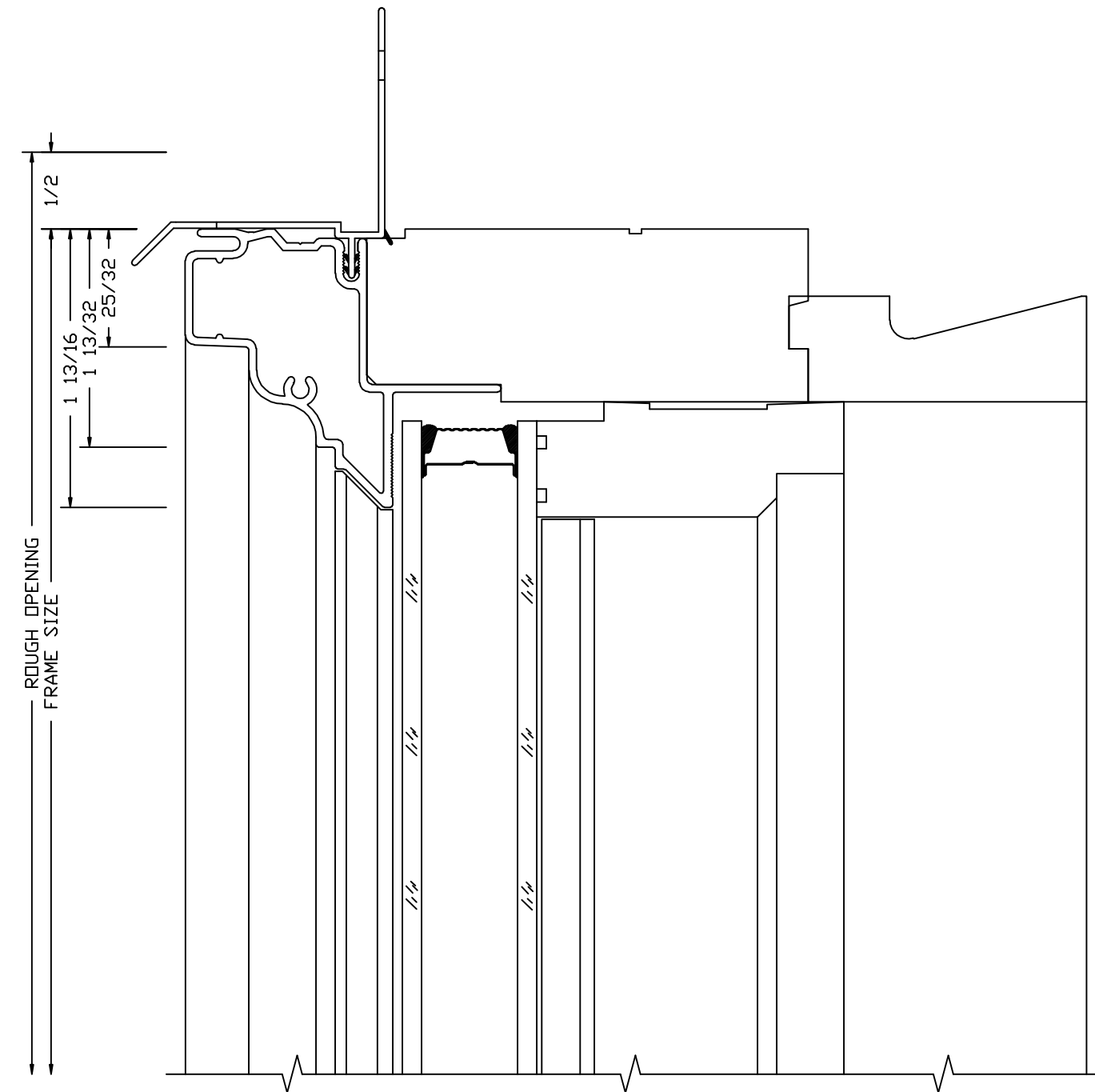
K ULTRA CLAD 706 CASEMENT OGEE DIRECT SET JAMB DETAIL
2 Scale: 1" = 1"



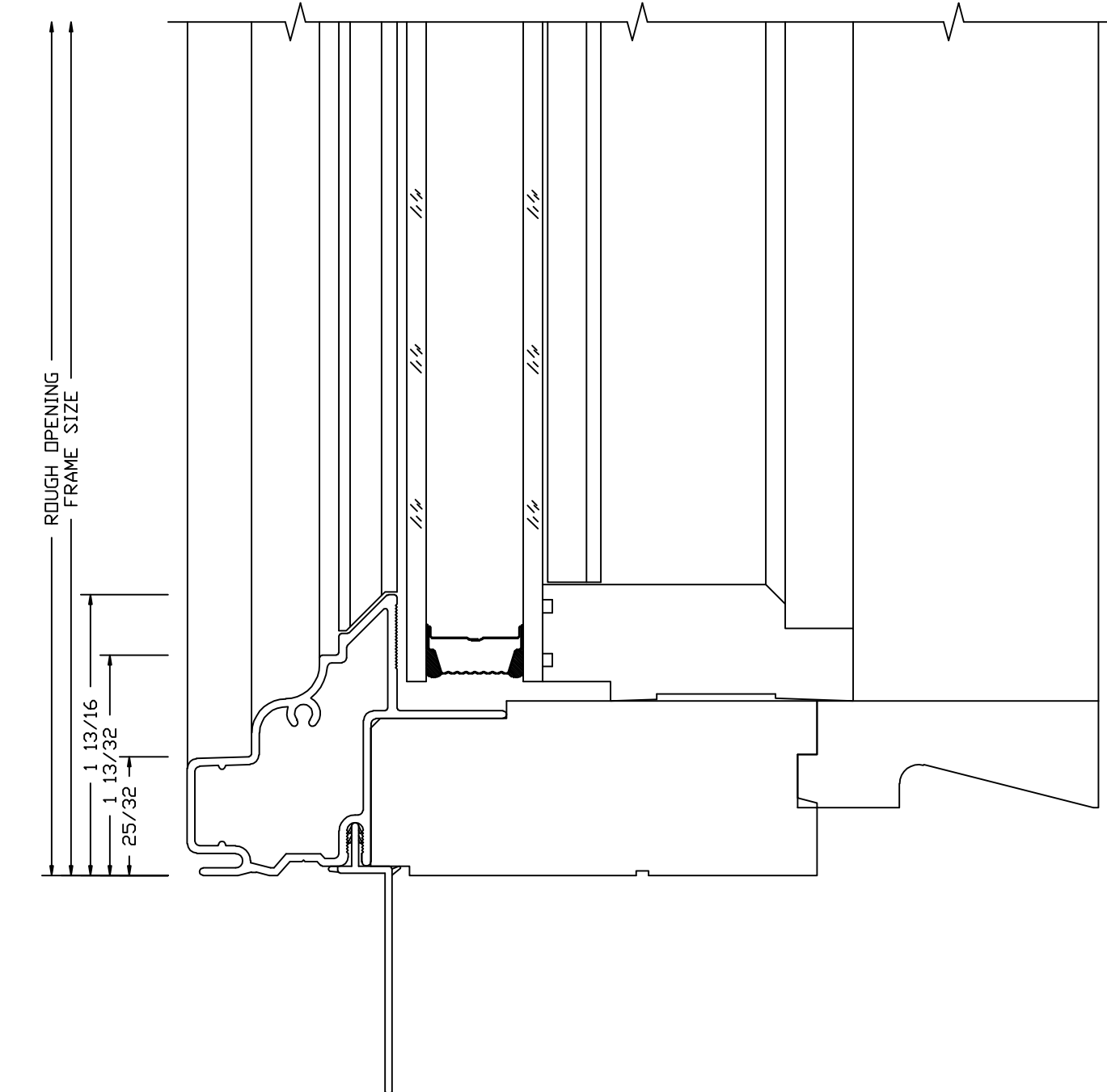
L ULTRA CLAD 706 CASEMENT OGEE DIRECT SET VERTICAL MULL DETAIL
2 Scale: 1" = 1"



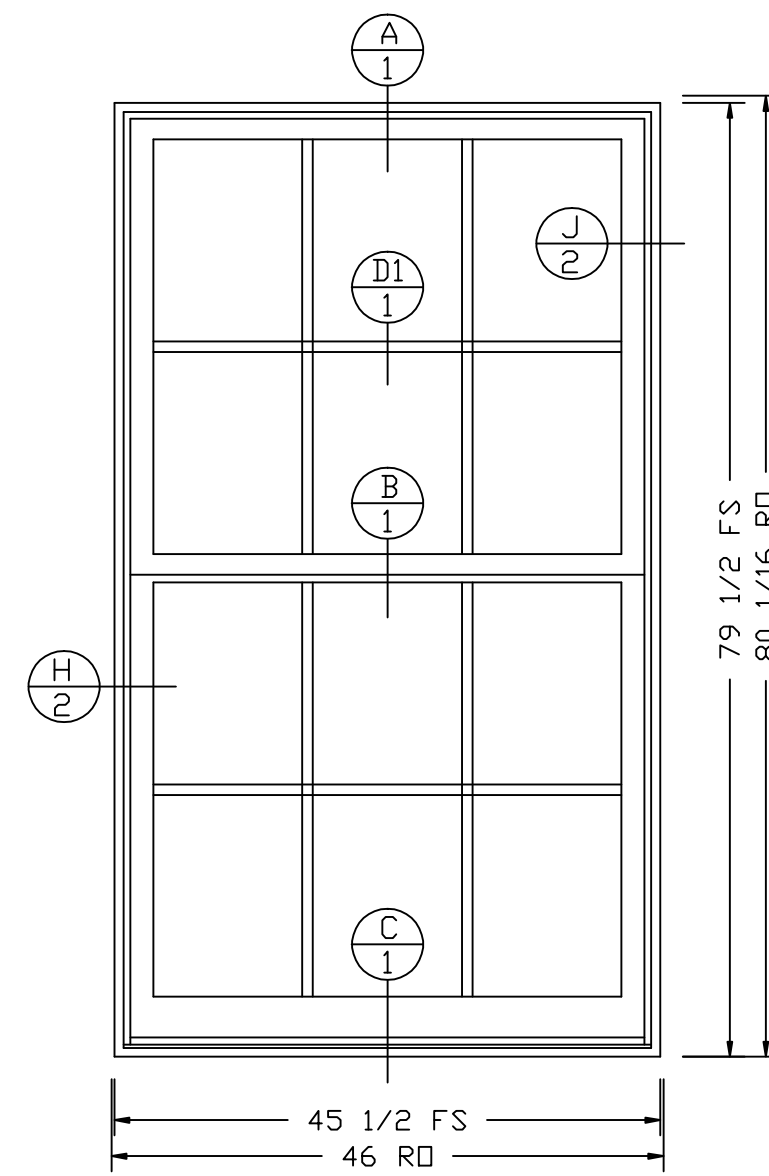
M ULTRA CLAD 706 CASEMENT OGEE DIRECT SET HORIZONTAL MULL DETAIL
2 Scale: 1" = 1"



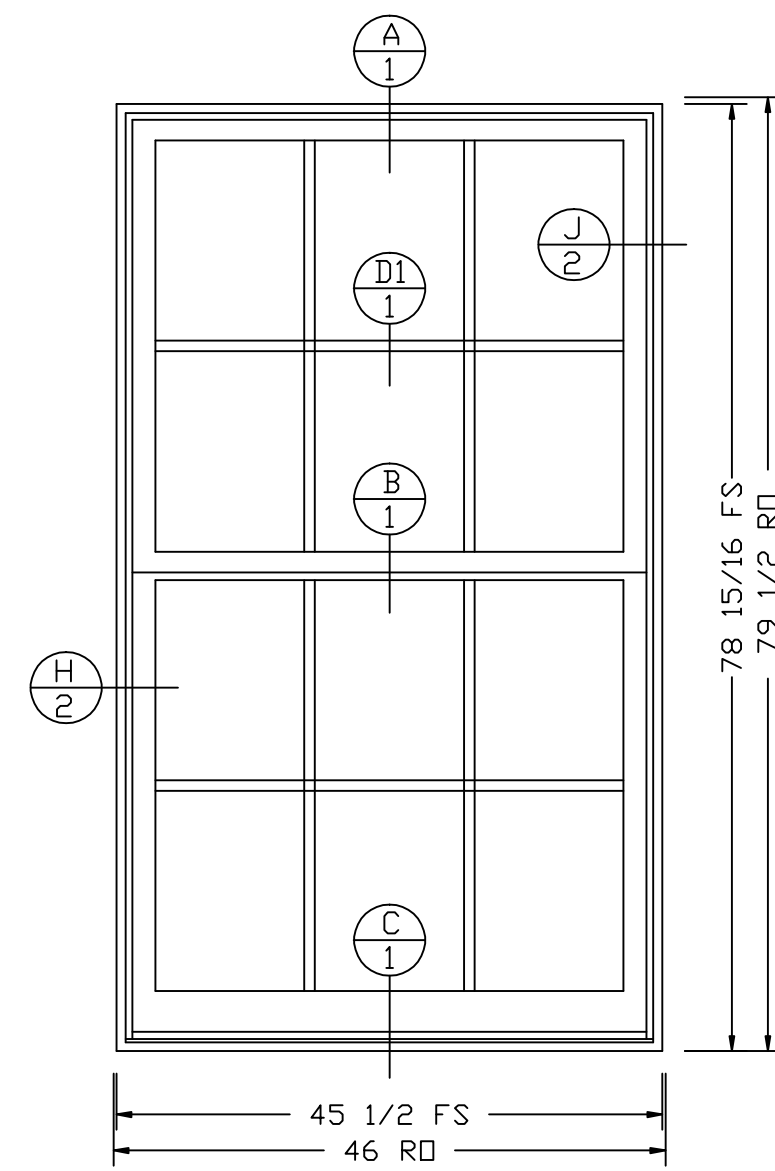
N
3 ULTRA CLAD 706 CASEMENT OGEE DIRECT SET HEAD DETAIL
Scale: 1" = 1"



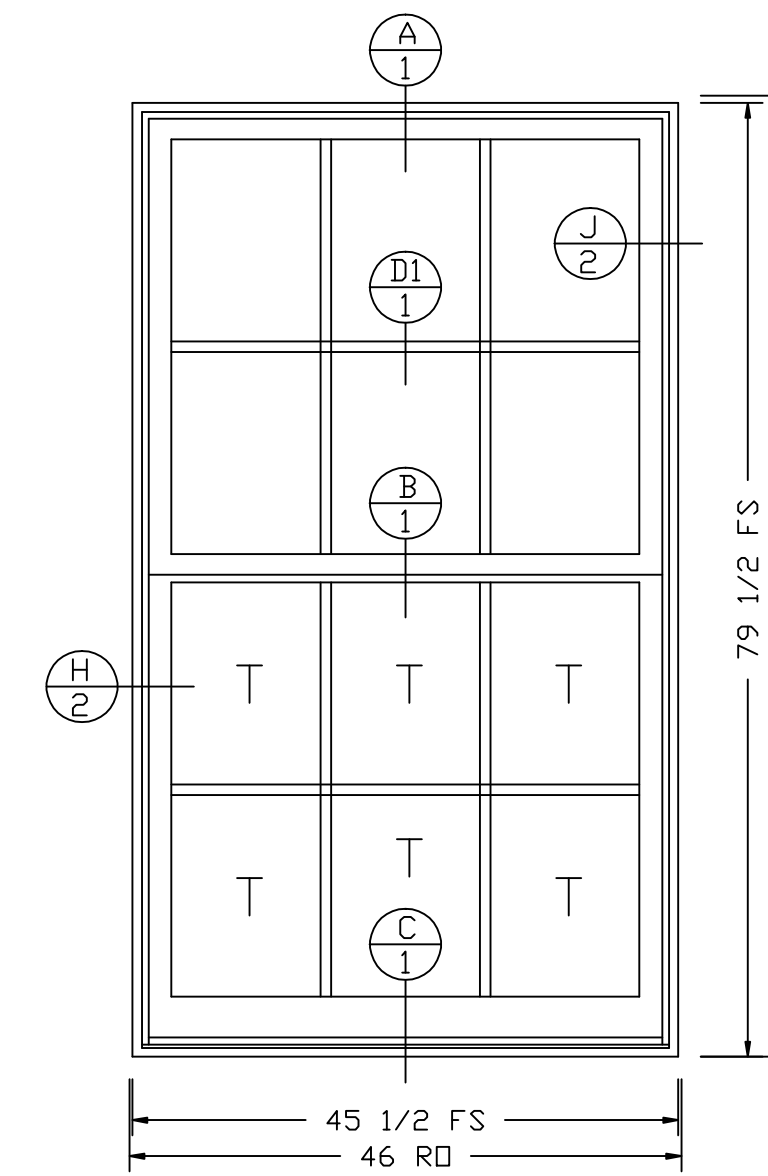
D
3 ULTRA CLAD 706 CASEMENT OGEE DIRECT SET SILL DETAIL
Scale: 1" = 1"



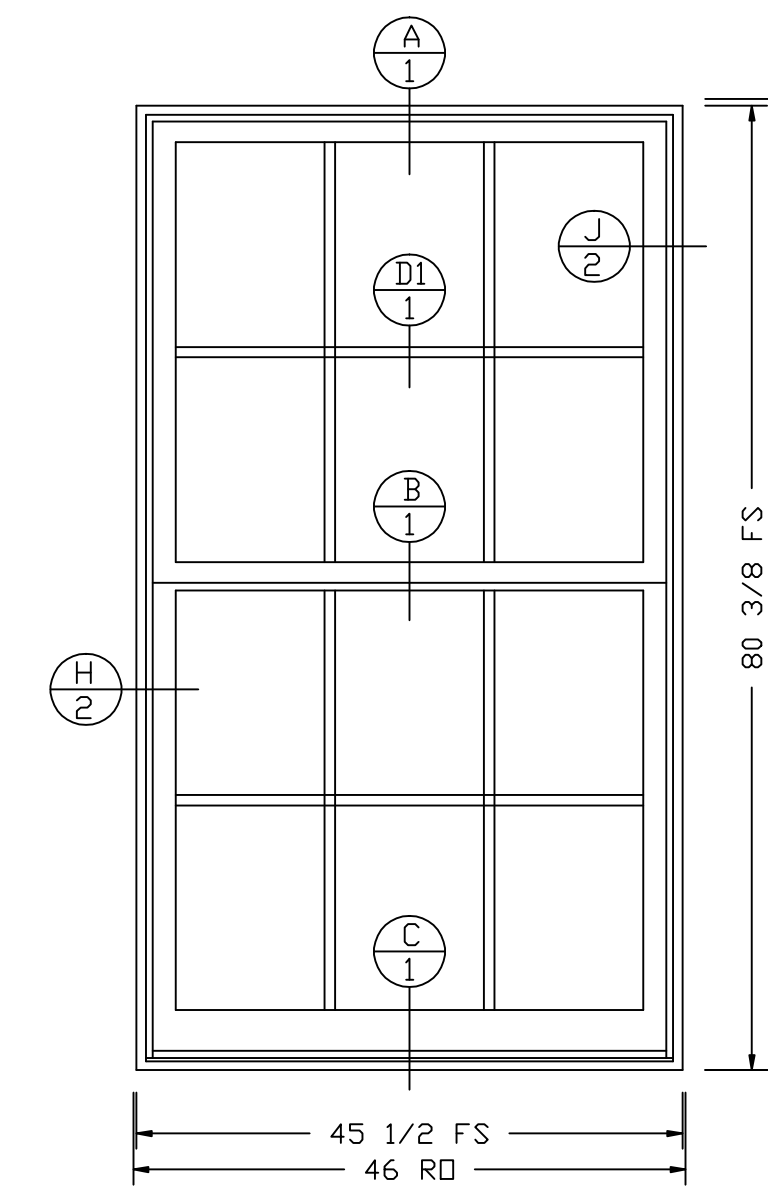
LABEL A1 (QTY 52)
LABEL A2 (QTY 27)
SCALE: 3/4" = 1"
ULTRA CLAD STERLING SINGLE HUNG UNIT
NO CASING, NO SILL NOSING, NO SCREEN OR SCREEN PREP
EXTERIOR CLAD - CUSTOM COLOR
INTERIOR - PINE WITH LATEX PRIME FOR FIELD FINISHING BY OTHERS



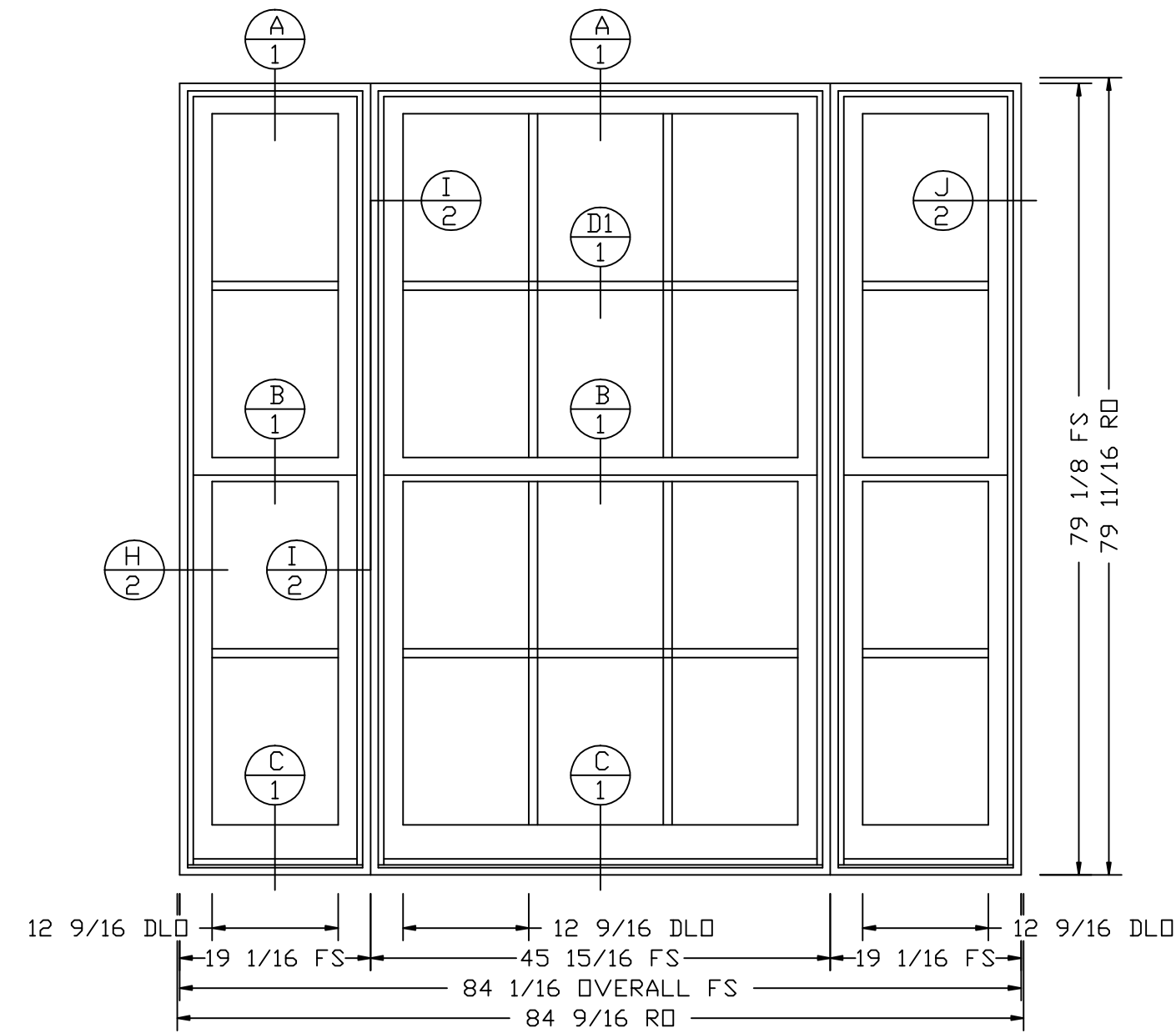
LABEL A3 (QTY 8)
LABEL A4 (QTY 35)
SCALE: 3/4" = 1"
ULTRA CLAD STERLING SINGLE HUNG UNIT
NO CASING, NO SILL NOSING, NO SCREEN OR SCREEN PREP
EXTERIOR CLAD - CUSTOM COLOR
INTERIOR - PINE WITH LATEX PRIME FOR FIELD FINISHING BY OTHERS



LABEL A1 (QTY 2)
SCALE: 3/4" = 1"
ULTRA CLAD STERLING SINGLE HUNG UNIT
NO CASING, NO SILL NOSING, NO SCREEN OR SCREEN PREP
TEMPERED GLASS (BOTTOM SASH ONLY)
EXTERIOR CLAD - CUSTOM COLOR
INTERIOR - PINE WITH LATEX PRIME FOR FIELD FINISHING BY OTHERS

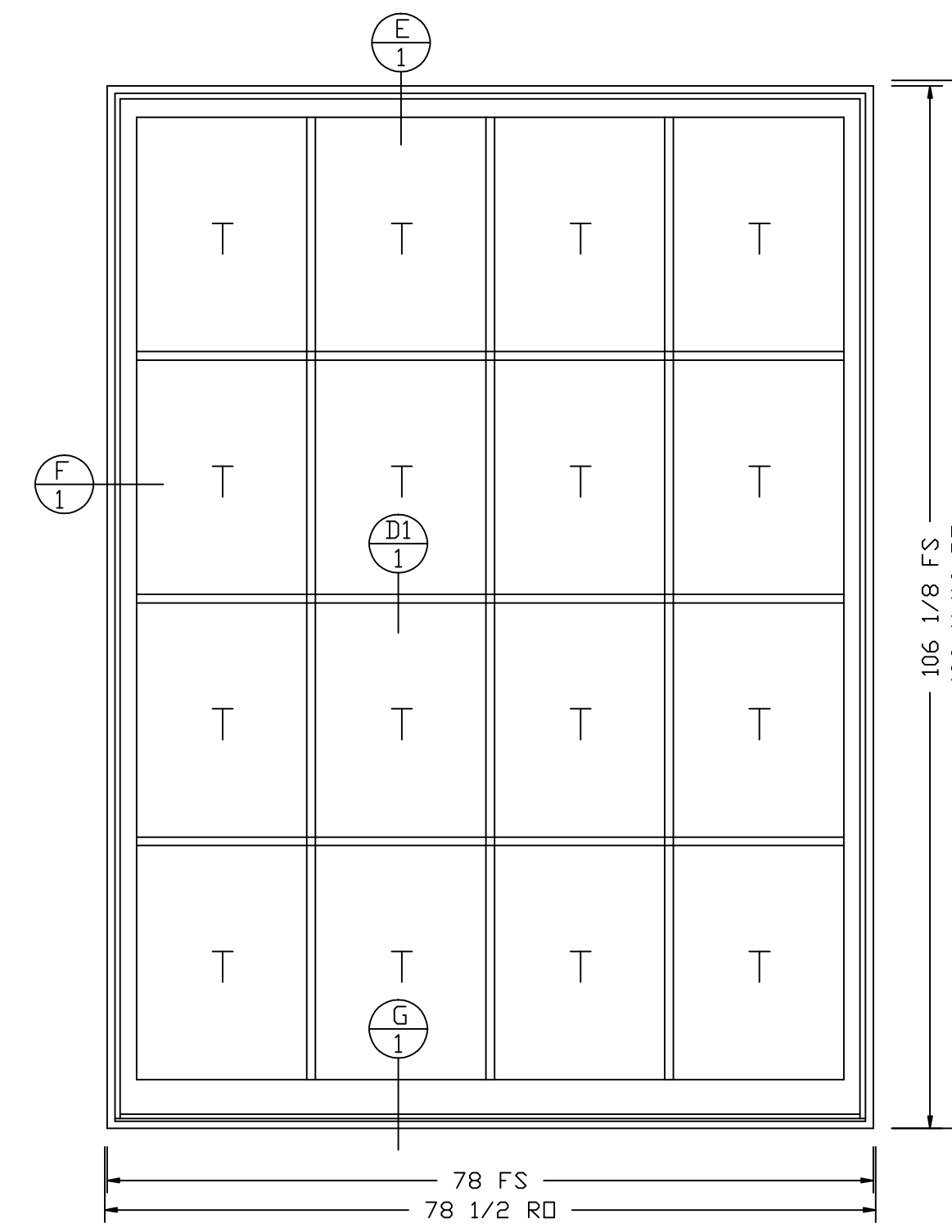


LABEL AA (QTY 4)
SCALE: 3/4" = 1"
ULTRA CLAD STERLING SINGLE HUNG UNIT
NO CASING, NO SILL NOSING, NO SCREEN OR SCREEN PREP
EXTERIOR CLAD - CUSTOM COLOR
INTERIOR - PINE WITH LATEX PRIME FOR FIELD FINISHING BY OTHERS



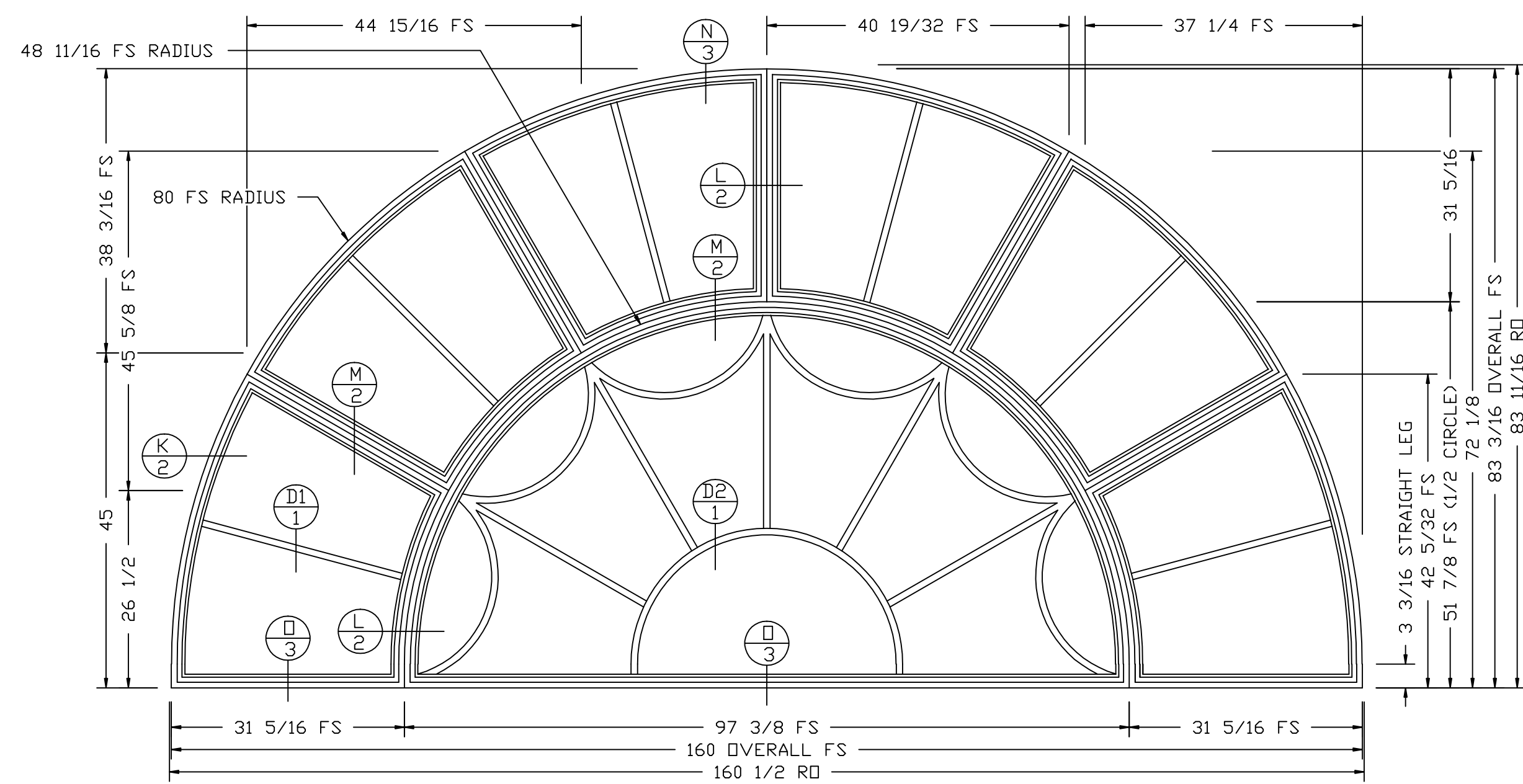
LABEL B (QTY 4)
SCALE: 3/4" = 1'

ULTRA CLAD STERLING SINGLE HUNG UNITS
NO CASING, NO SILL NOSING, NO SCREEN OR SCREEN PREP
EXTERIOR CLAD - CUSTOM COLOR
INTERIOR - PINE WITH LATEX PRIME FOR FIELD FINISHING BY OTHERS



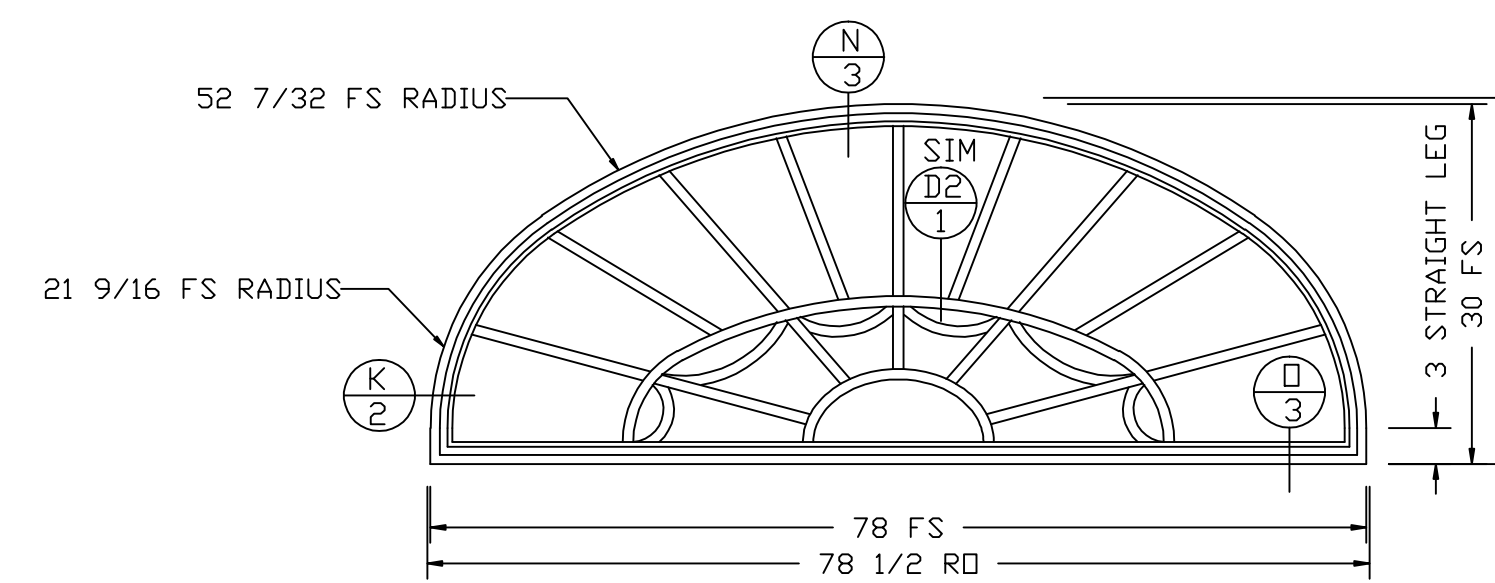
LABEL D (QTY 3)
SCALE: 3/4" = 1'

ULTRA CLAD STERLING DOUBLE HUNG STUDIO UNIT
NO CASING, NO SILL NOSING
TEMPERED GLASS
EXTERIOR CLAD - CUSTOM COLOR
INTERIOR - PINE WITH LATEX PRIME FOR FIELD FINISHING BY OTHERS



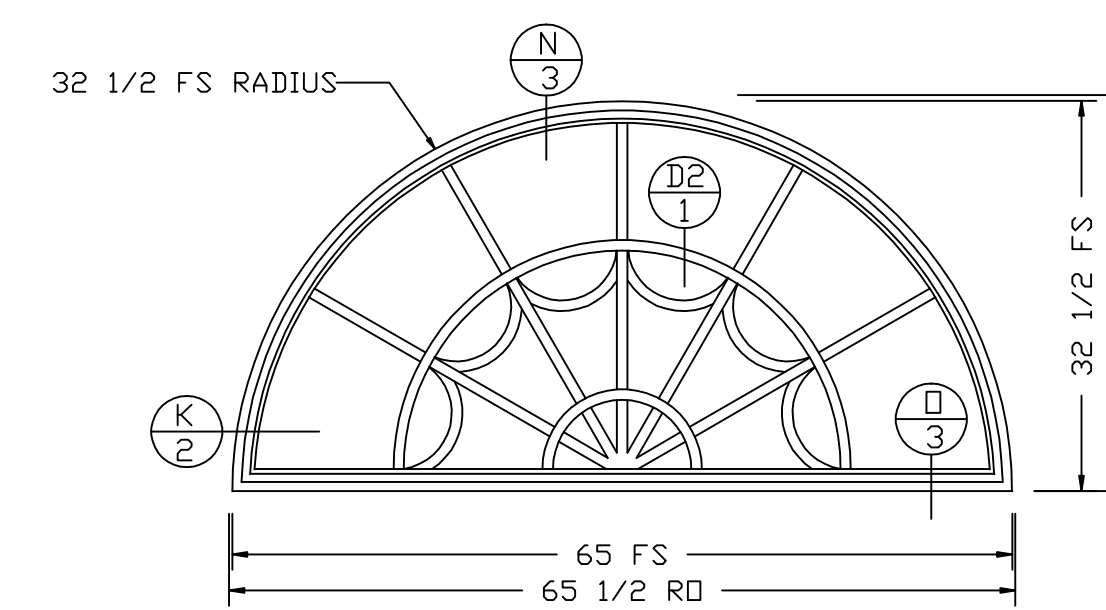
LABEL E (QTY 6)
SCALE: 3/4" = 1'

ULTRA CLAD OGEE DIRECT SET UNITS
NO CASING, NO SILL NOSING
EXTERIOR CLAD - CUSTOM COLOR
INTERIOR - PINE WITH LATEX PRIME FOR FIELD FINISHING BY OTHERS



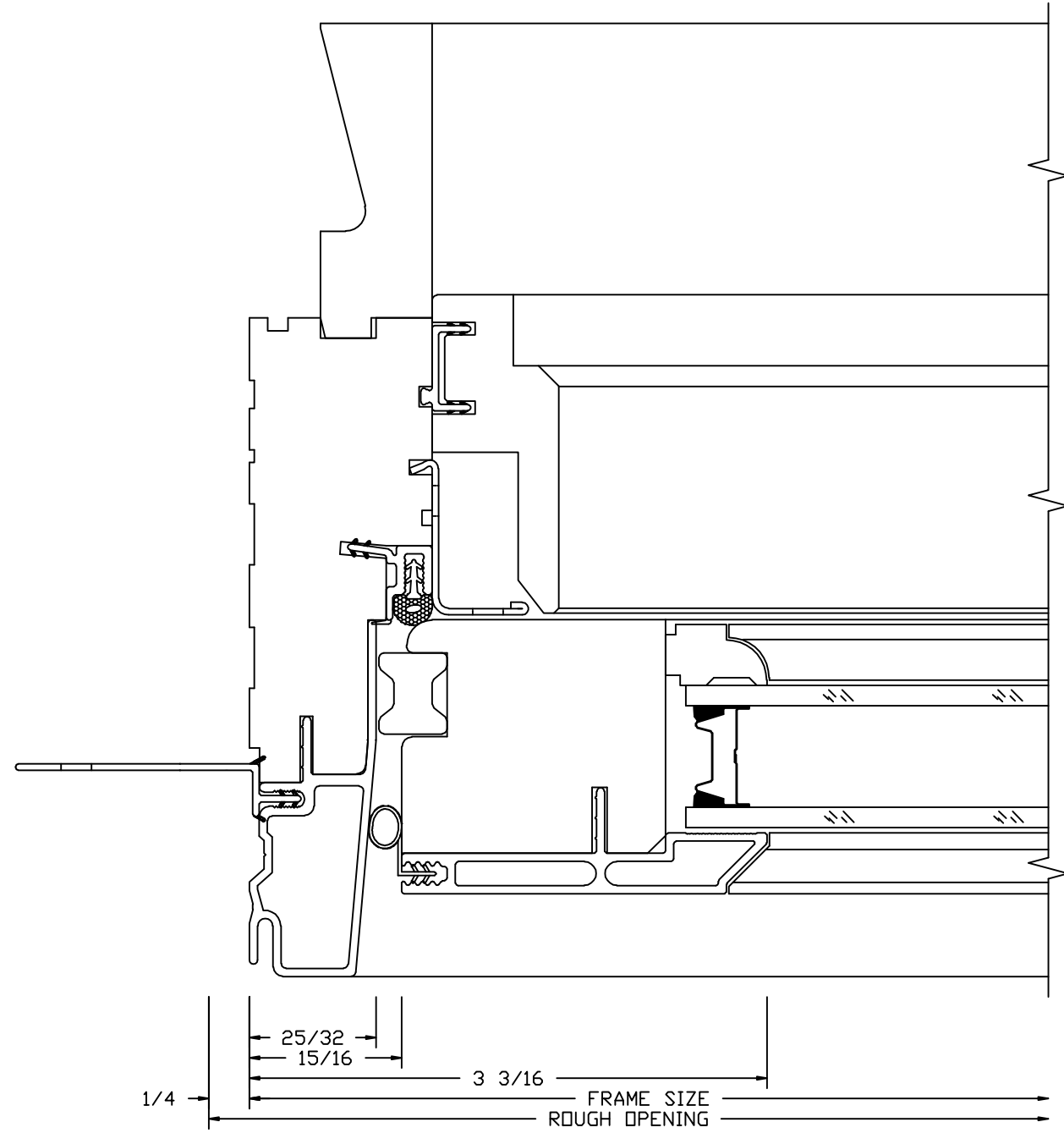
LABEL F (G-101) (QTY 1)
SCALE: 3/4" = 1'

ULTRA CLAD OGEE DIRECT SET UNIT
NO CASING, NO SILL NOSING
EXTERIOR CLAD - CUSTOM COLOR
INTERIOR - PINE WITH LATEX PRIME FOR FIELD FINISHING BY OTHERS

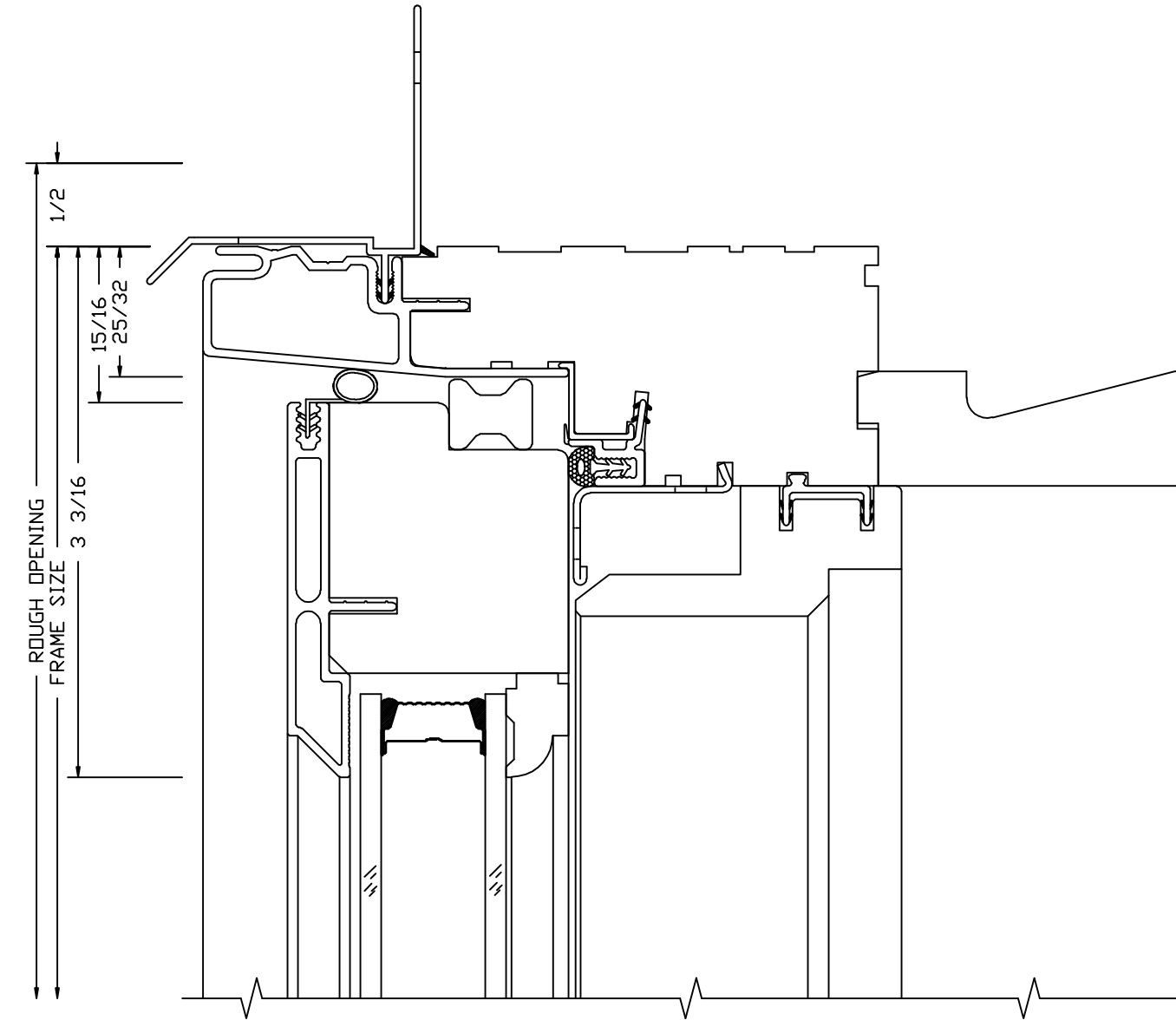


LABEL G (G-102 & G-103) (QTY 2)
SCALE: 3/4" = 1'

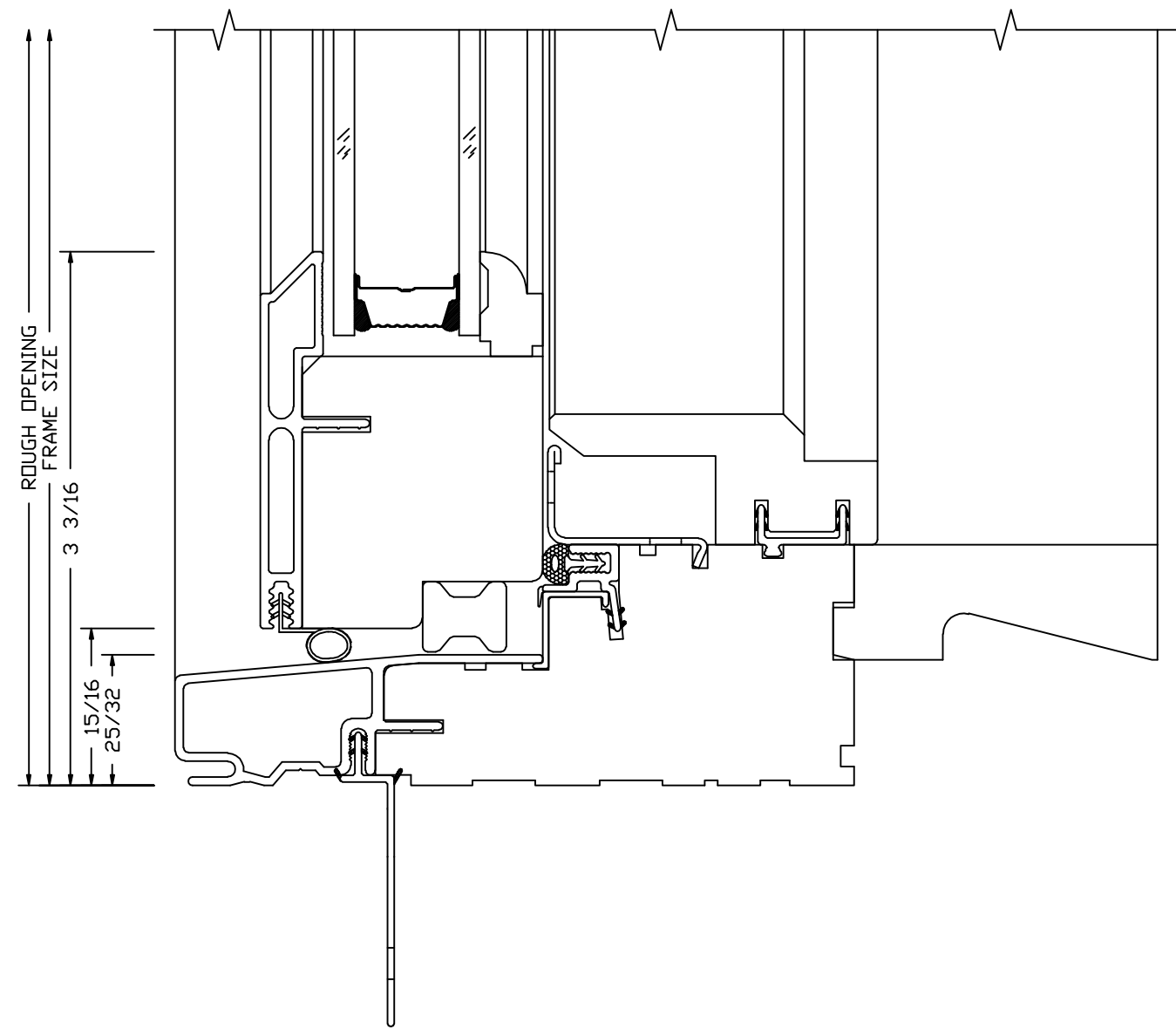
ULTRA CLAD OGEE DIRECT SET UNIT
NO CASING, NO SILL NOSING
EXTERIOR CLAD - CUSTOM COLOR
INTERIOR - PINE WITH LATEX PRIME FOR FIELD FINISHING BY OTHERS



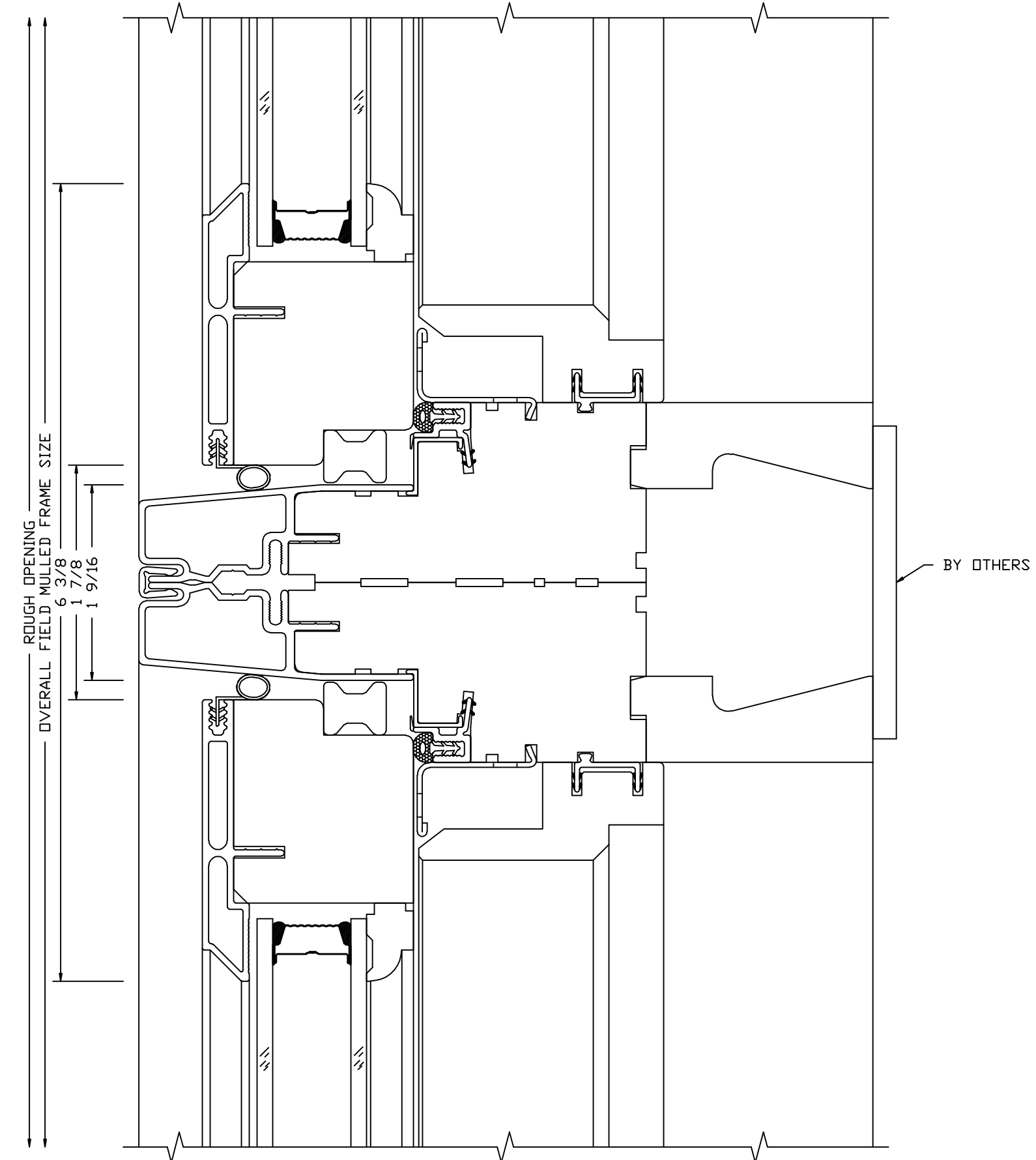
A ULTRA CLAD 706 CASEMENT JAMB DETAIL
 1 STAT Scale: 1" = 1"



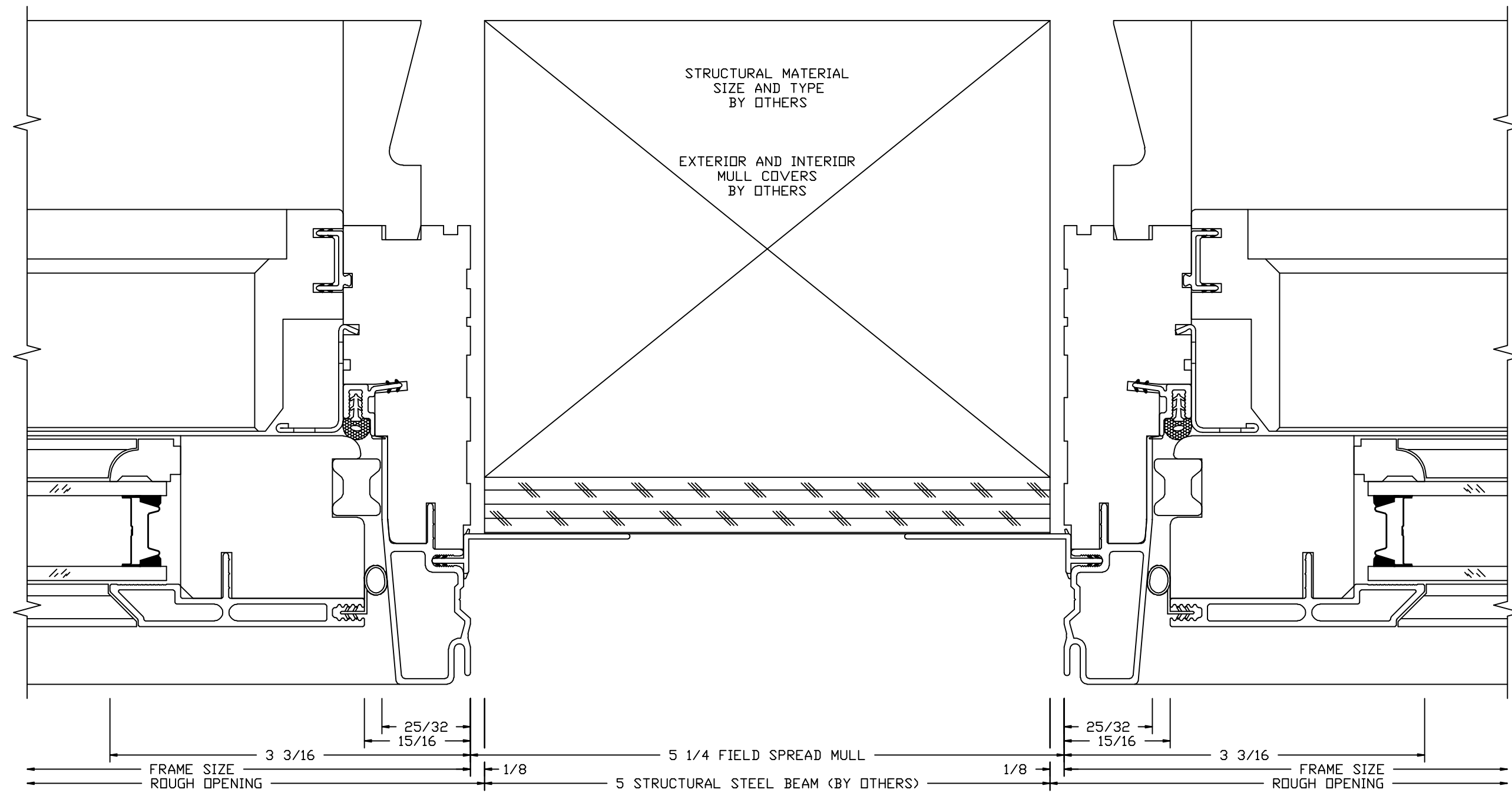
B ULTRA CLAD 706 CASEMENT HEAD DETAIL
 1 STAT Scale: 1" = 1"
 NOTE: SECTIONS LABELED "SIM" ARE TO HAVE PDL GLAZING (DUE TO VERTICAL PDL BAR IN UNIT)



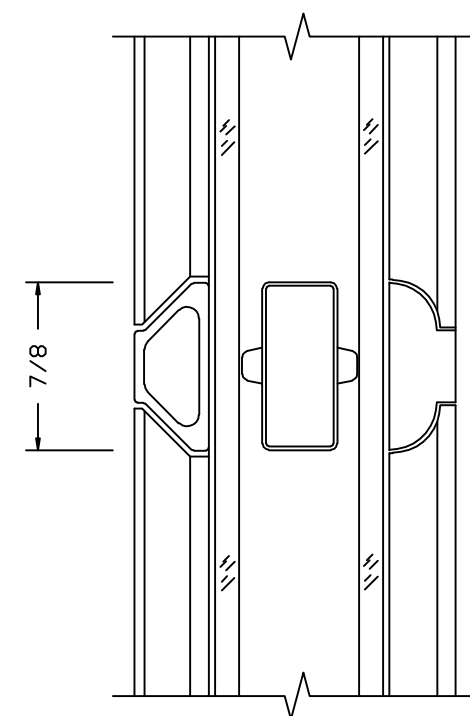
C ULTRA CLAD 706 CASEMENT SILL DETAIL
 1 STAT Scale: 1" = 1"
 NOTE: SECTIONS LABELED "SIM" ARE TO HAVE PDL GLAZING (DUE TO VERTICAL PDL BAR IN UNIT)



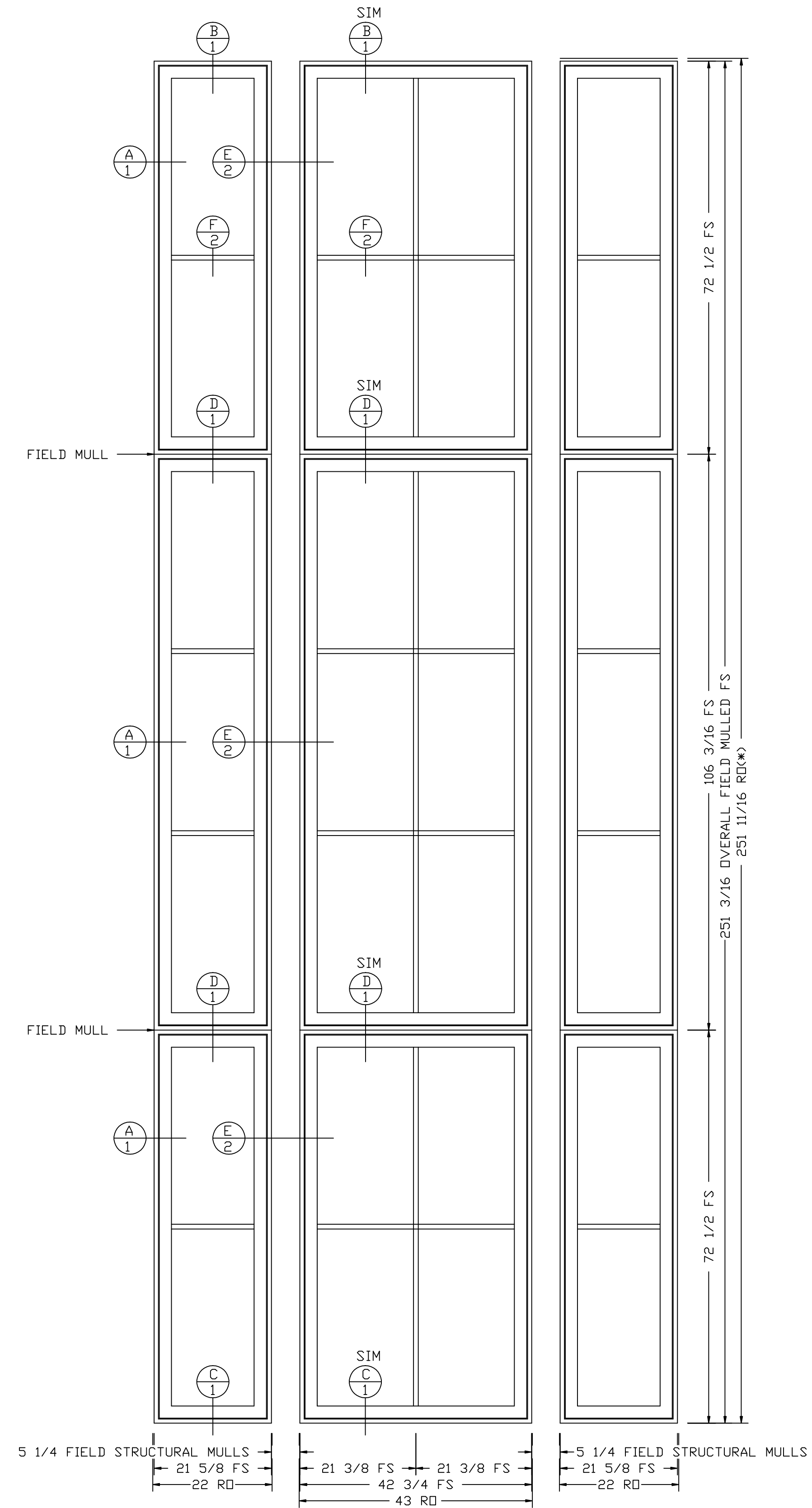
D ULTRA CLAD 706 CASEMENT HORIZONTAL MULL DETAIL
 1 STAT-STAT - FIELD MULL Scale: 1" = 1"
 NOTE: SECTIONS LABELED "SIM" ARE TO HAVE PDL GLAZING (DUE TO VERTICAL PDL BAR IN UNIT)



E ULTRA CLAD 706 CASEMENT VERTICAL FIELD MULL DETAIL
 2 STAT-STAT Scale: 1" = 1"



F 7/8" PDL BAR DETAIL
 2 Scale: 1" = 1"



LABEL WINDOW TYPE C (QTY 2)
 SCALE: 3/4" = 1"

ULTRA CLAD 706 CASEMENTS (ALL STAT)
 7/8" PDL BAR IN ALL UNITS

UNITS SENT AS (9) SEPERATE UNITS (AS SHOWN ON DRAWING)

ALL VERTICAL STRUCTURAL MATERIAL, VERTICAL EXTERIOR AND INTERIOR MULL CASINGS BY OTHERS

(*) = DUE TO OVERALL SIZE, KOLBE RECOMMENDS ADDITIONAL
 RD TOLERANCE BE ADDED TO THE STANDARD 1/2" SHOWN

ROUGH OPENINGS AT VERTICAL STRUCTURAL MULL LOCATIONS ARE SHOWN WITH
 1/8" TOLERANCE (EACH SIDE) DUE TO STEEL BEAM MATERIAL